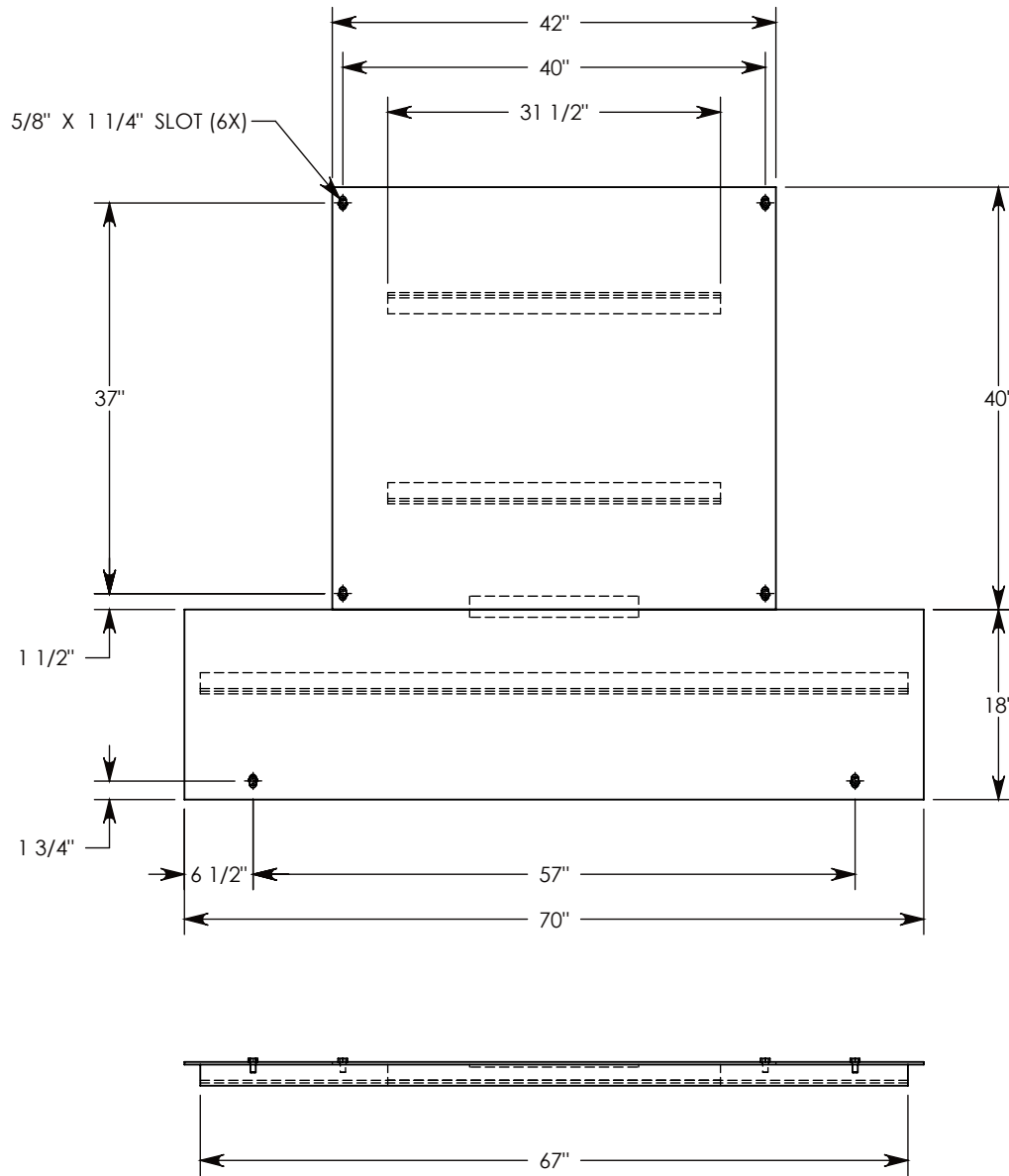
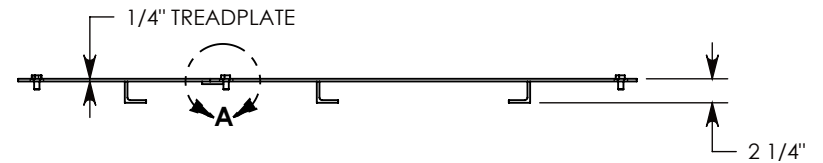
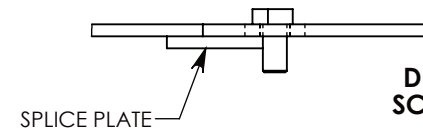
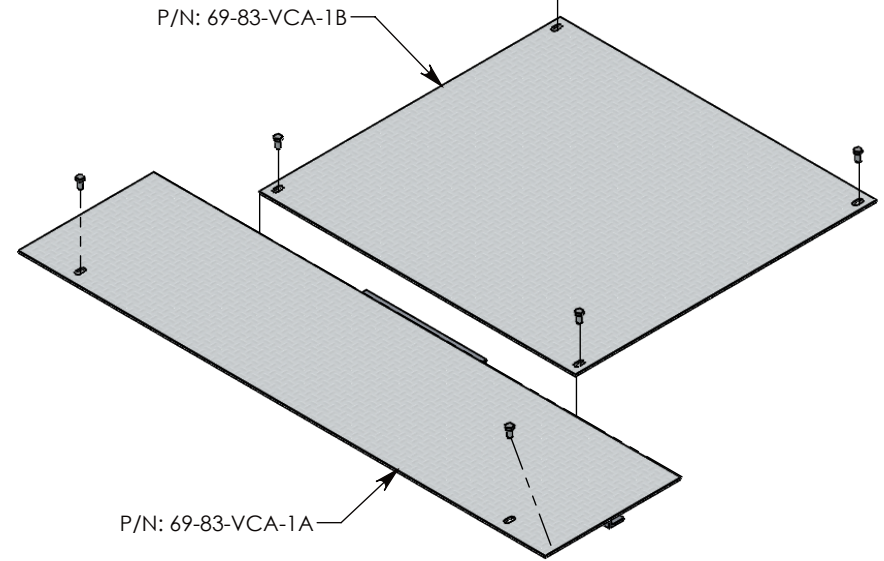


REV. A - JCG - 12/15/2020 - UPDATED COVER NAMES  
 REV. B - SIC - 1/26/2021 - UPDATED SLOT POSITIONS ON 69-83-VCA-1A



1/2-13 UNC X 1\"/>

COVER DESIGNED TO  
 FIT ONTO CONCAST  
 VISTA BOX PAD  
 P/N: FC-69-83-36-V



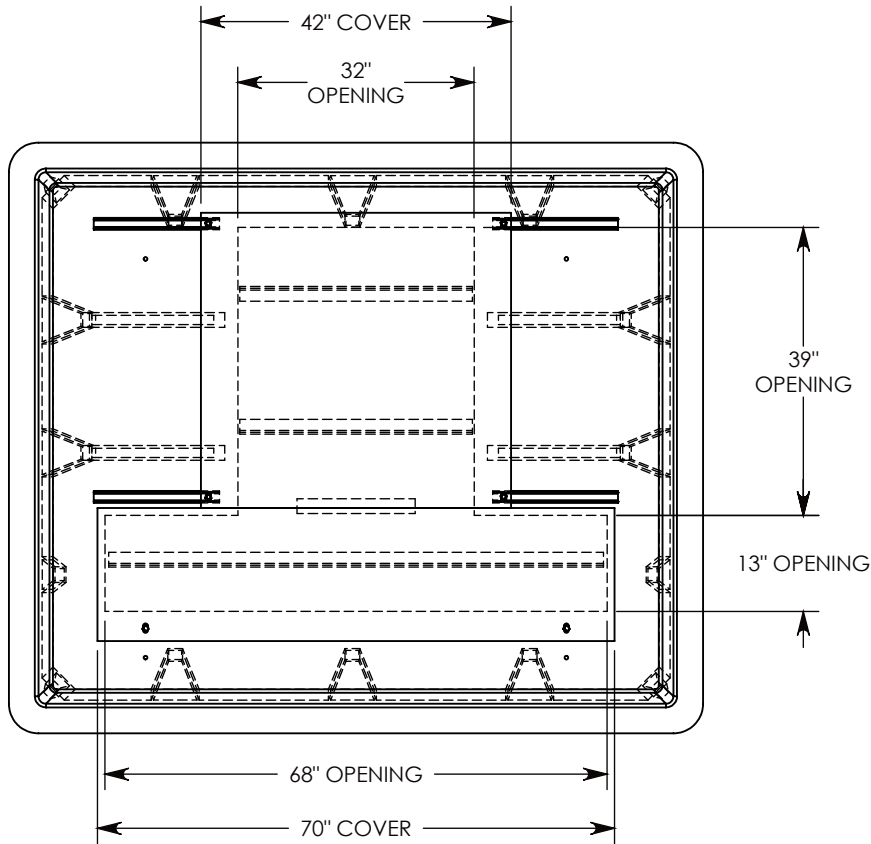
NOTE 1: SHEET 2 ILLUSTRATES HOW COVER FITS ONTO BOX PAD P/N: FC-69-83-36-V

|                                |                            |
|--------------------------------|----------------------------|
| <b>DRAWN BY: ROBIN FLINT</b>   |                            |
| <b>CREATED DATE: 9/17/2012</b> | <b>REVISION LEVEL: A</b>   |
| <b>SAVED DATE: 1/26/2021</b>   | <b>SAVED BY: scallahan</b> |
| <b>WEIGHT: 88 LBS.</b>         | <b>MATERIAL: ALUMINUM</b>  |

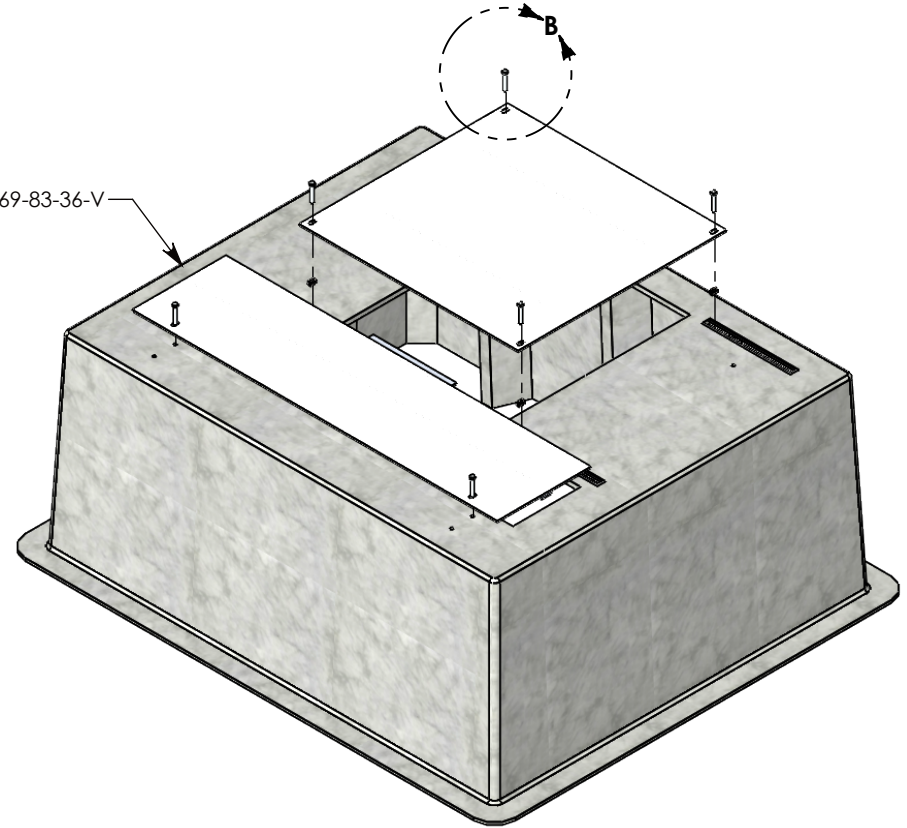


1010 NORTH STAR DRIVE  
 P.O. BOX 69  
 ZUMBROTA, MN 55992-0069

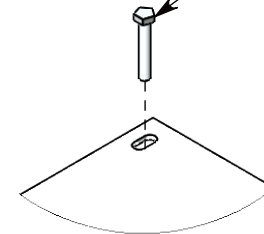
|  |  |              |
|--|--|--------------|
| <b>DESCRIPTION:</b><br><b>ALUMINUM VISTA BOX PAD COVER</b>                     |  | SHEET 1 OF 4 |
| DIMENSIONS ARE IN INCHES<br>TOLERANCES:<br>FRACTIONAL: ± 1/8"<br>ANGULAR: ± 2° | CONTACT INFORMATION:<br>EMAIL: INFO@CONCASTINC.COM<br>PHONE: (507) 732-4095<br>FAX: (507) 732-4094 |              |
| <b>PART NUMBER:</b><br><b>69-83-VCA</b>  |  |              |



FC-69-83-36-V



PENTAHED BOLT  
SECURES ALUMINUM COVERS  
TO THE BOX PAD UNTIL THE  
UNIT IS READY FOR VISTA  
EQUIPMENT INSTALLATION



DETAIL B  
SCALE 1 : 8

**DRAWN BY:** ROBIN FLINT

**CREATED DATE:** 9/17/2012 **REVISION LEVEL:** B

**SAVED DATE:** 1/26/2021 **SAVED BY:** scallahan

**WEIGHT:** - LBS. **MATERIAL:** NOTED



1010 NORTH STAR DRIVE  
P.O. BOX 69  
ZUMBROTA, MN 55992-0069

**DESCRIPTION:**

**REF. ASSEMBLY - VISTA BOX PAD COVER**

DIMENSIONS ARE IN INCHES  
TOLERANCES:  
FRACTIONAL:  $\pm 1/8"$   
ANGULAR:  $\pm 2^\circ$

CONTACT INFORMATION:  
EMAIL: INFO@CONCASTINC.COM  
PHONE: (507) 732-4095  
FAX: (507) 732-4094

SHEET 2 OF 4

**PART NUMBER:**

**69-83-VCA**