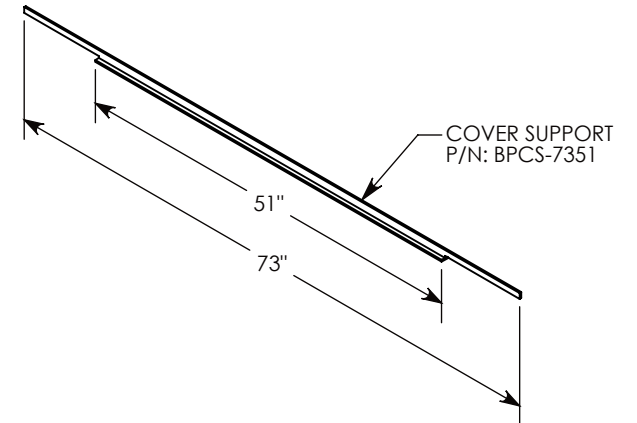
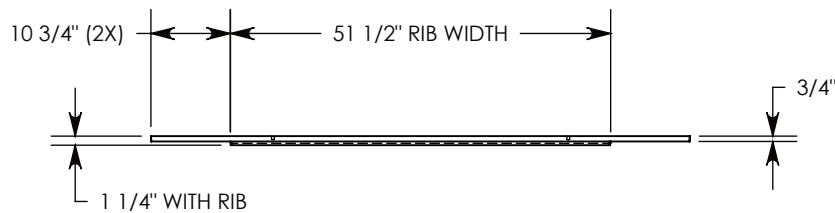
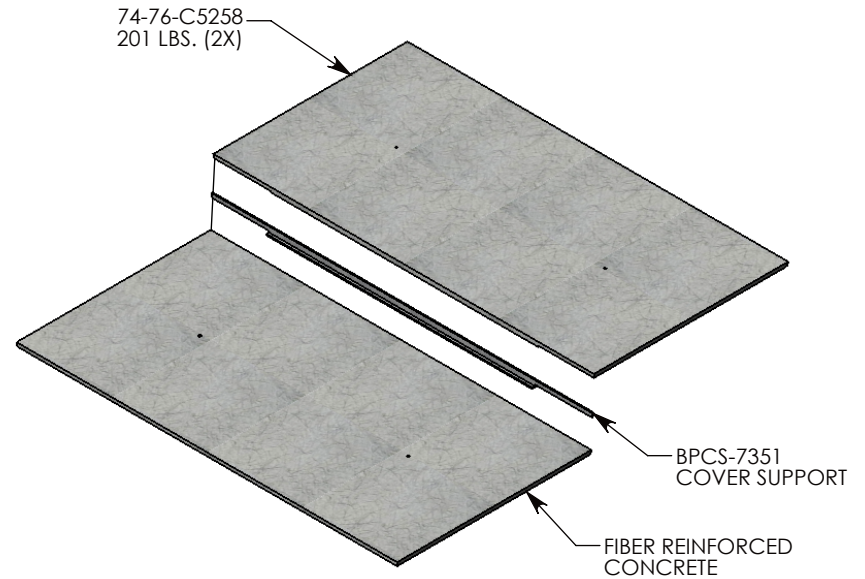
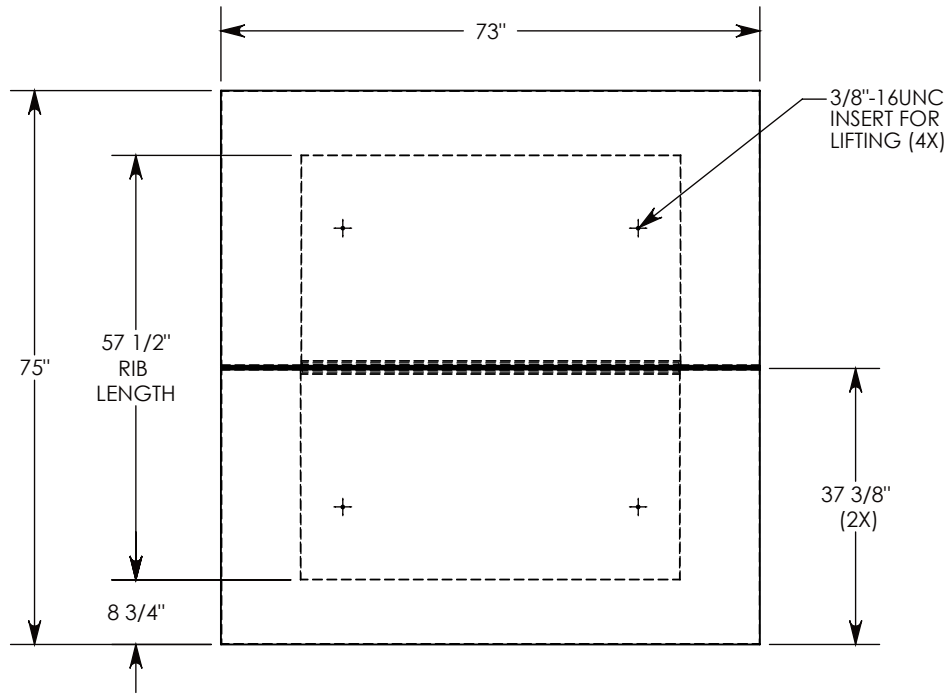


**FIBERCRETE<sup>®</sup>**



6 CONCAST TOGGLE NUTS (PART NUMBER TN-.5) ARE INCLUDED, AND ARE USED TO ATTACH THIS COVER TO THE BOX PAD. COVER AND BOX PAD ARE TO BE DRILLED ONSITE AT DESIRED LOCATIONS FOR TOGGLE NUT INSTALLATION.

**DRAWN BY: ROBIN FLINT**

**DATE: 6/6/2012**

**REVISION LEVEL: 0**

**WEIGHT:**

**411 LBS. TOTAL**

**MATERIAL:**

**FIBERCRETE**

**CONCAST**  
 1010 NORTH STAR DRIVE  
 P.O. BOX 69  
 ZUMBROTA, MN 55992-0069

**DESCRIPTION:**

**FIBERCRETE BOX PAD COVERS**

DIMENSIONS ARE IN INCHES  
 TOLERANCES:  
 FRACTIONAL: ± 1/8"  
 ANGULAR: ± 2°

CONTACT INFORMATION:  
 EMAIL: INFO@CONCASTINC.COM  
 PHONE: (507) 732-4095  
 FAX: (507) 732-4094

SHEET 1 OF 1

**PART NUMBER:**

**74-76-C5258**