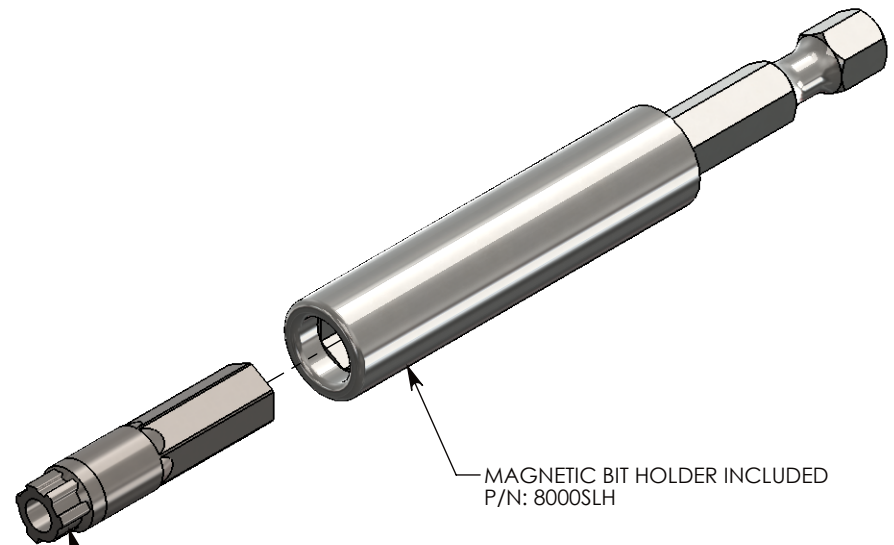
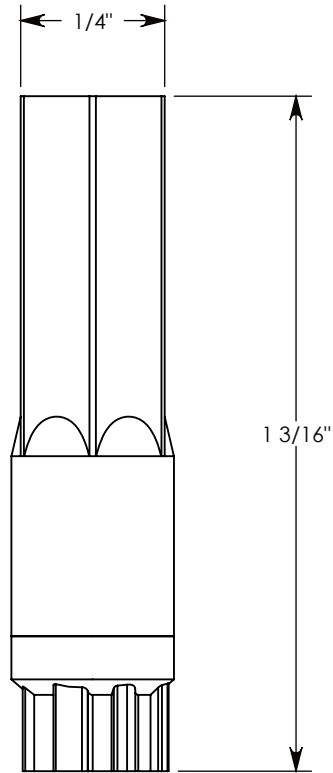
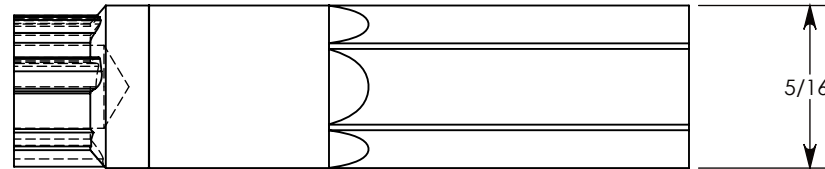
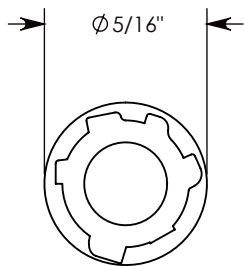


REV A - JCG - 8/15/19 - ADDED 8000SLH TO BE INCLUDED  
 REV B - JCG - 9/5/19 - ADDED 8000SLB PART NUMBER FOR BIT



MAGNETIC BIT HOLDER INCLUDED  
 P/N: 8000SLH

KEYED BIT IS EXCLUSIVELY FOR  
 REMOVING  $\varnothing 3/8$ " SURELOCK BOLTS  
 P/N: 8000SLB



**DRAWN BY:** MALACHI MLINAR

**DATE:** 9/5/2019

**REVISION LEVEL:** B

**WEIGHT:**

0 LBS.

**MATERIAL:**

STEEL



1010 NORTH STAR DRIVE  
 P.O. BOX 69  
 ZUMBROTA, MN 55992-0069

**DESCRIPTION:**

**SURELOCK BIT TOOL W/ HOLDER**

DIMENSIONS ARE IN INCHES  
 TOLERANCES:  
 FRACTIONAL:  $\pm 1/8$ "  
 ANGULAR:  $\pm 2^\circ$

CONTACT INFORMATION:  
 EMAIL: INFO@CONCASTINC.COM  
 PHONE: (507) 732-4095  
 FAX: (507) 732-4094

SHEET 1 OF 1

**PART NUMBER:**

8000SL