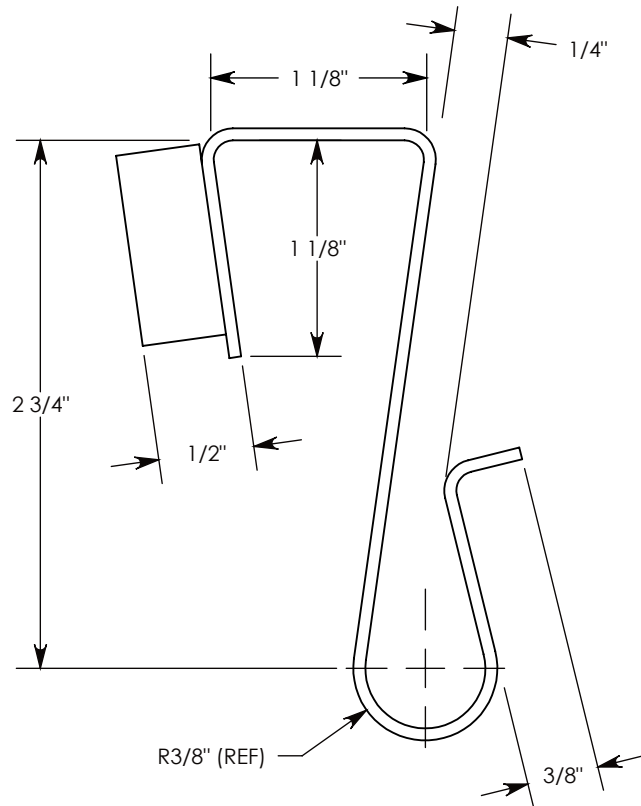
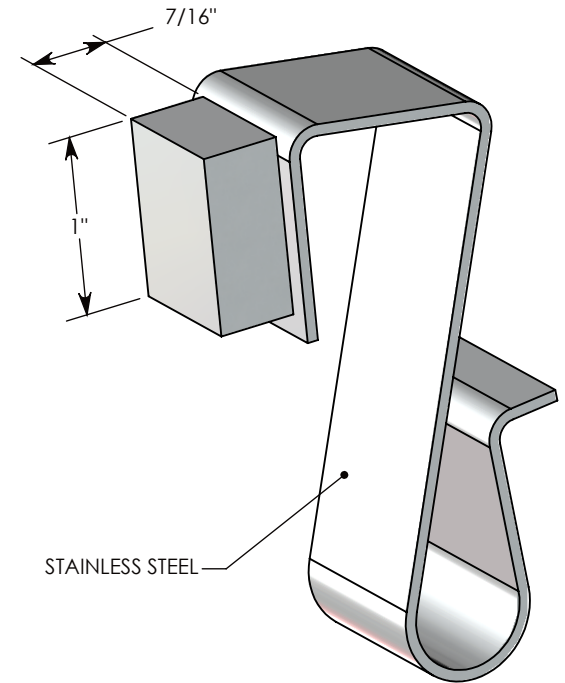
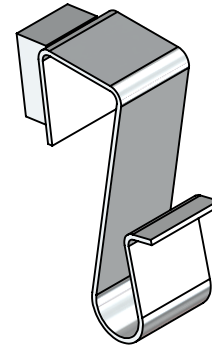
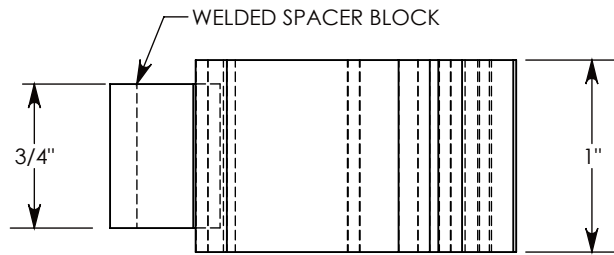
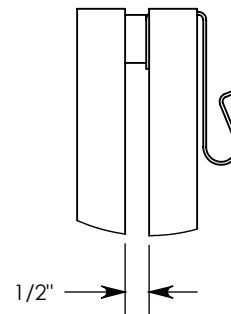


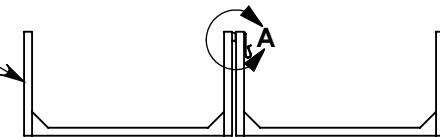
**FIBERCRETE®**  
**TRENCH**  
**SYSTEM**



**DETAIL A**  
**SCALE 1 : 4**



EXAMPLE OF A  
 DOUBLE RUN OF  
 PEDESTRIAN TRENCH  
 WHICH REQUIRES 1/2"  
 SPACING BETWEEN  
 THE TRENCH WALLS.



CHANNELS ARE NOTCHED FOR GROUND CABLE CLIPS.  
 CLIPS USED TO MAINTAIN 1/2" SPACING BETWEEN DUAL TRENCH RUNS.

<b>DRAWN BY: ROBIN FLINT</b>	
<b>DATE: 8/15/2015</b>	<b>REVISION LEVEL: 0</b>
<b>WEIGHT:</b>	<b>MATERIAL:</b>
<b>0.2 LBS.</b>	<b>STAINLESS STEEL</b>



**CONCAST**  
 1010 NORTH STAR DRIVE  
 P.O. BOX 69  
 ZUMBROTA, MN 55992-0069

<b>DESCRIPTION:</b> <b>CABLE CLIP FOR SIDE-BY-SIDE TRENCH</b>		
DIMENSIONS ARE IN INCHES TOLERANCES: FRACTIONAL: ± 1/8" ANGULAR: ± 2°	CONTACT INFORMATION: EMAIL: INFO@CONCASTINC.COM PHONE: (507) 732-4095 FAX: (507) 732-4094	SHEET 1 OF 1
<b>PART NUMBER:</b> <b>8002-013</b>		