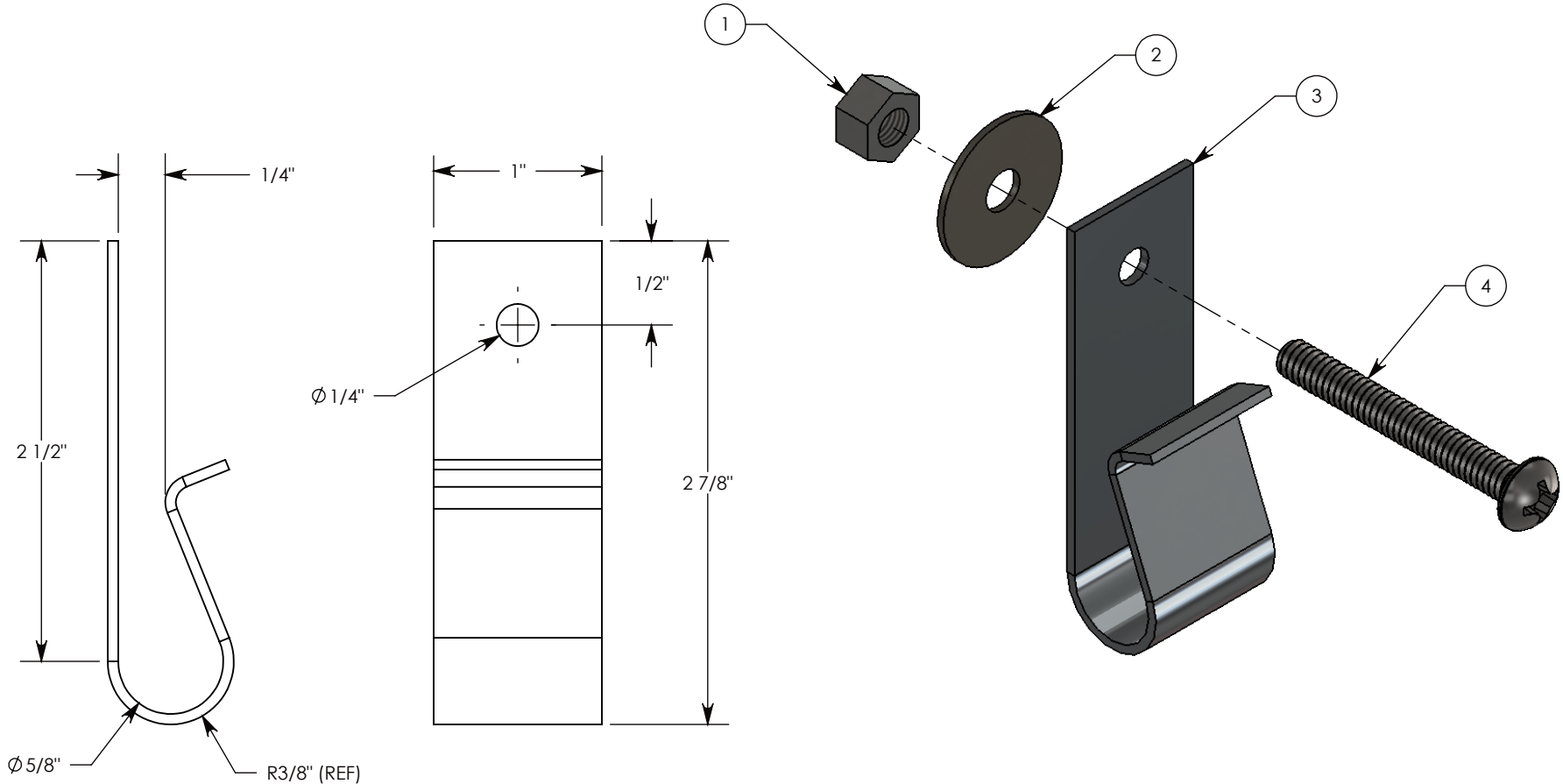


ITEM NO.	PART NUMBER	DESCRIPTION	QTY.
1	HHN.25	1/4-20 UNC HEX HEAD NUT	1
2	WSR.25-1	1/4" STD WASHER - 1" OD	1
3	8002R-000	TRAFFIC CHANNEL SS CABLE CLIP	1
4	PHMS.25-2	1/4-20 X 2" LG PAN HEAD MACHINE SCREW	1



NOTE 1: HARDWARE IS INCLUDED
NOTE 2: PEDESTRIAN CHANNELS WILL NEED CLEARANCE HOLES CREATED DURING INSTALLATION

DRAWN BY: ROBIN FLINT

DATE: 1/28/2017

REVISION LEVEL: A

WEIGHT:

0.1 LBS.

MATERIAL:

NOTED



DESCRIPTION:

TRAFFIC RATED CHANNEL CABLE CLIP

DIMENSIONS ARE IN INCHES
 TOLERANCES:
 FRACTIONAL: ± 1/8"
 ANGULAR: ± 2°

CONTACT INFORMATION:
 EMAIL: INFO@CONCASTINC.COM
 PHONE: (507) 732-4095
 FAX: (507) 732-4094

PART NUMBER: 8002F

SHEET 1 OF 1