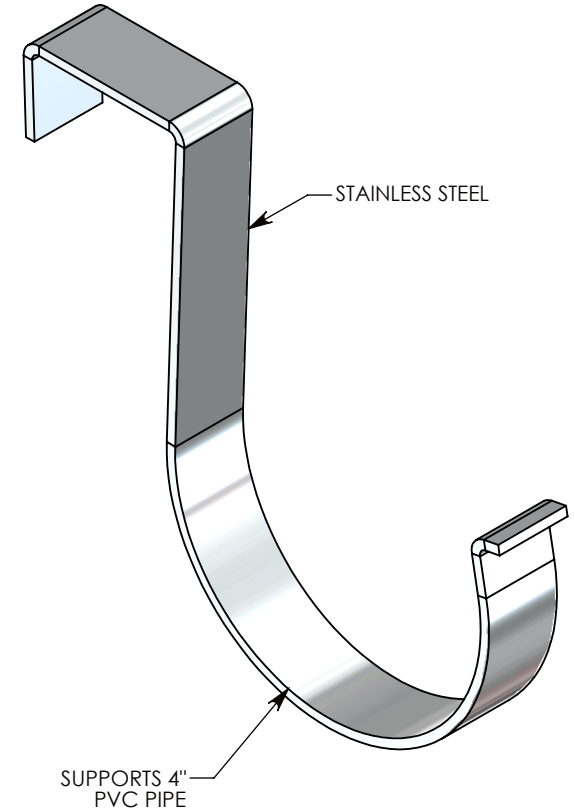
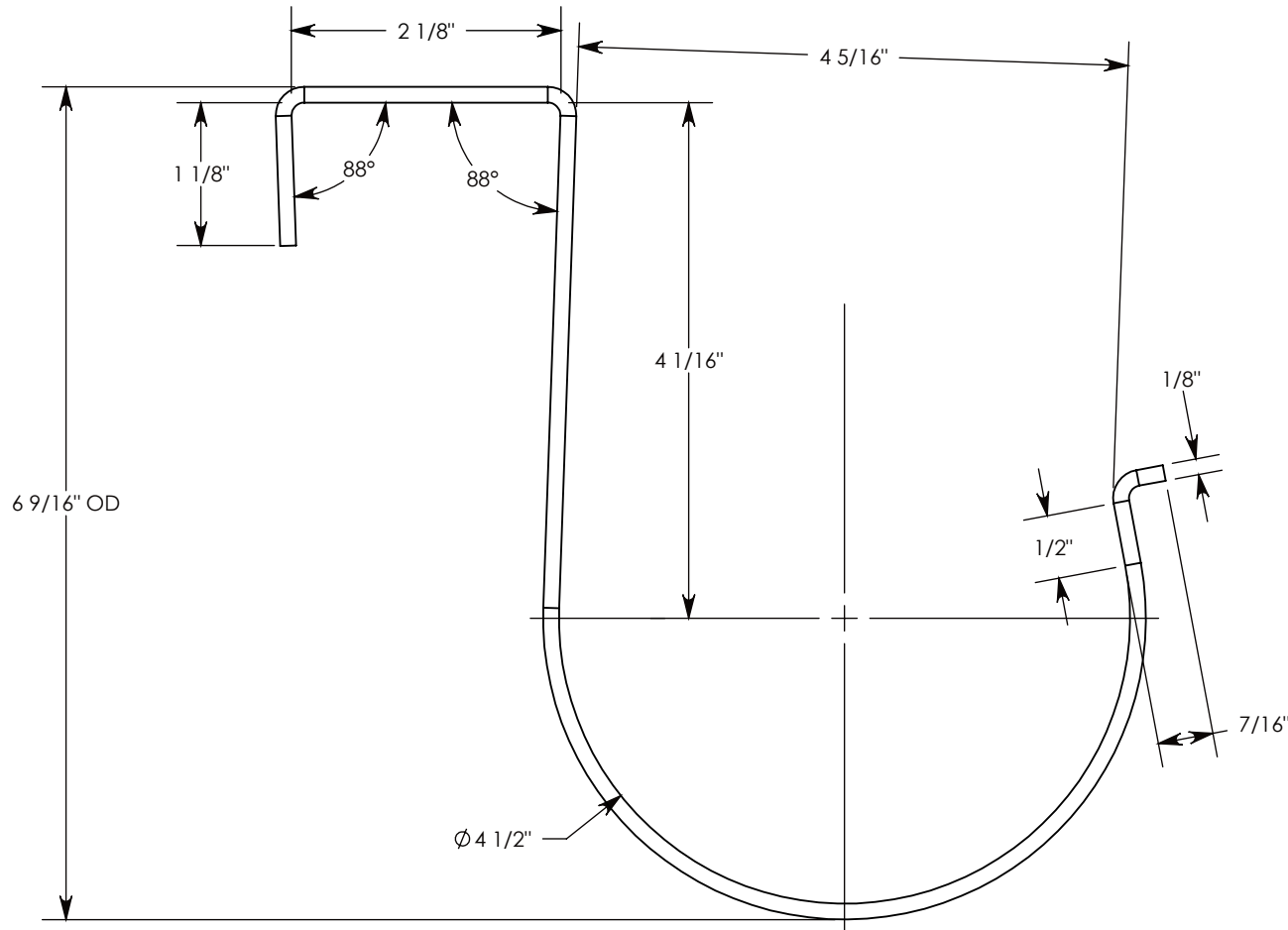


FIBERCRETE[®]
TRENCH
SYSTEM



CHANNELS ARE NOTCHED FOR CABLE CLIPS.

DRAWN BY: ROBIN FLINT

DATE: 8/14/2015

REVISION LEVEL: 0

WEIGHT:

0.6 LBS.

MATERIAL:

STAINLESS STEEL



DESCRIPTION:

PEDESTRIAN PT CHANNEL CABLE CLIP

DIMENSIONS ARE IN INCHES
 TOLERANCES:
 FRACTIONAL: ± 1/8"
 ANGULAR: ± 2°

CONTACT INFORMATION:
 EMAIL: INFO@CONCASTINC.COM
 PHONE: (507) 732-4095
 FAX: (507) 732-4094

PART NUMBER: 8002PT-006

SHEET 1 OF 1