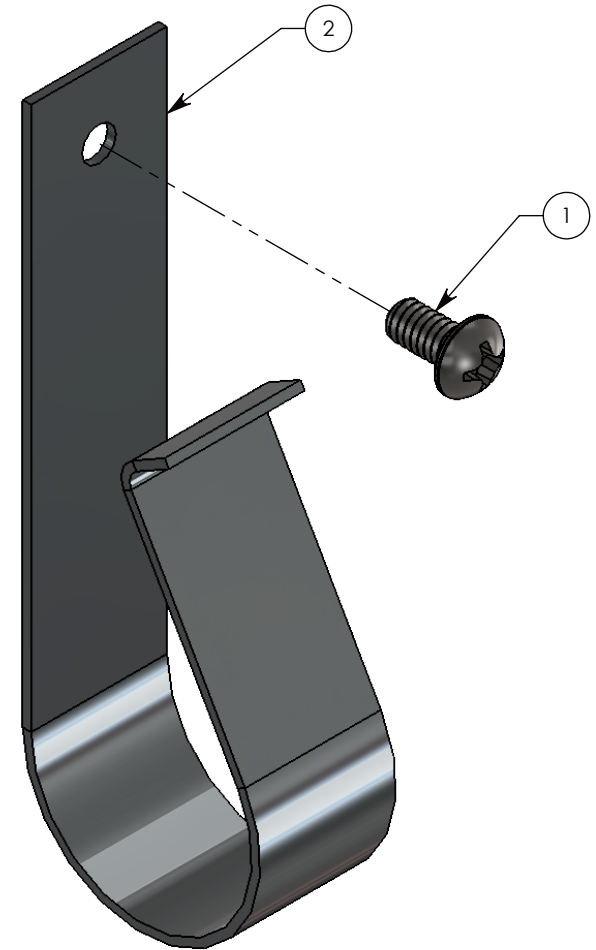
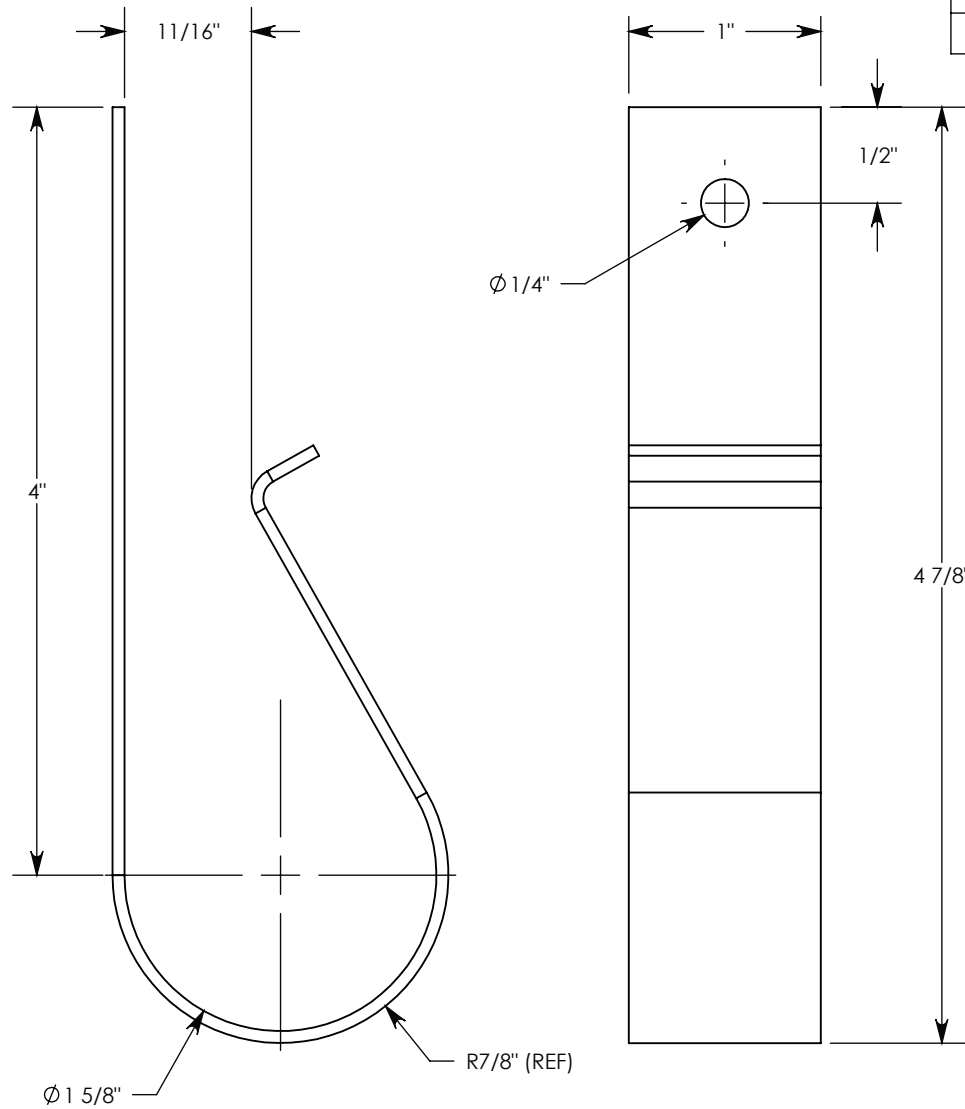


| ITEM NO. | PART NUMBER | DESCRIPTION                            | QTY. |
|----------|-------------|--|------|
| 1        | PHMS.25-.5  | 1/4-20 X 1/2 LG PAN HEAD MACHINE SCREW | 1    |
| 2        | 8002R-030   | TRAFFIC CHANNEL SS CABLE CLIP          | 1    |



**NOTE 1:** MACHINE SCREW IS INCLUDED  
**NOTE 2:** TRAFFIC RATED CHANNELS HAVE CAST-IN THREADED INSERTS FOR MOUNTING CABLE CLIPS.

**DRAWN BY: ROBIN FLINT**

**DATE: 1/28/2017**

**REVISION LEVEL: A**

**WEIGHT:**

**0.2 LBS.**

**MATERIAL:**

**NOTED**



**DESCRIPTION:**

**TRAFFIC RATED CHANNEL CABLE CLIP**

DIMENSIONS ARE IN INCHES  
 TOLERANCES:  
 FRACTIONAL:  $\pm 1/8"$   
 ANGULAR:  $\pm 2^\circ$

CONTACT INFORMATION:  
 EMAIL: INFO@CONCASTINC.COM  
 PHONE: (507) 732-4095  
 FAX: (507) 732-4094

SHEET 1 OF 2

**PART NUMBER:**

**8002R-003**