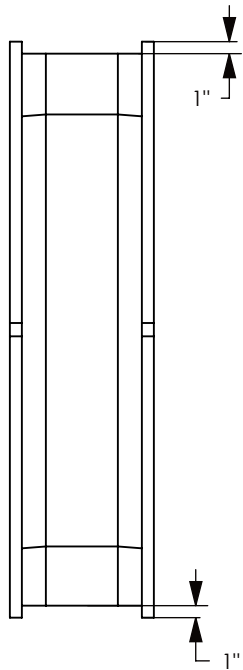


FIBERCRETE[®]
TRENCH
SYSTEM

THIS VIEW REFERENCE ONLY
 PARTS MAY NOT BE TO SCALE

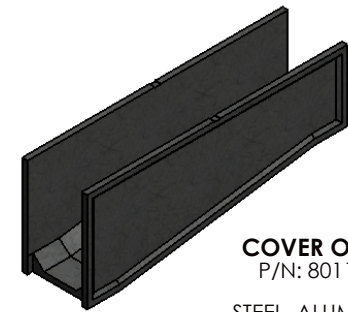
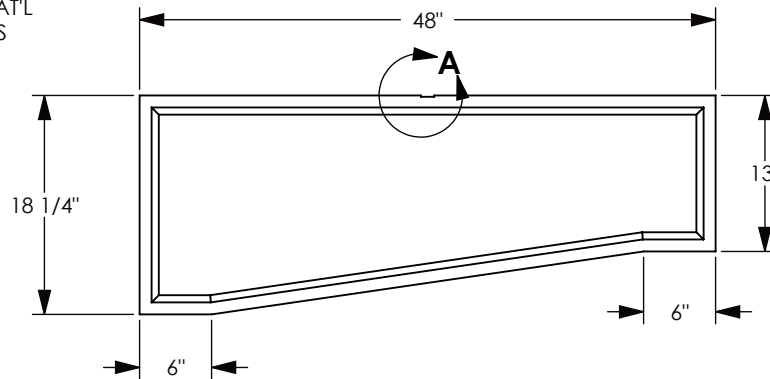
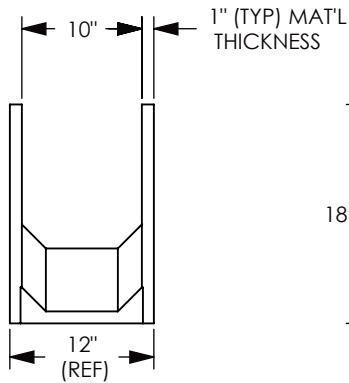
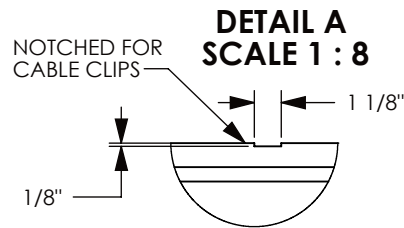


ROAD CHANNEL

USE VULKEM POLYURETHANE SEALANT TO ATTACH & SEAL THE BULK HEADS TO THE ROAD CHANNEL WHEN ASSEMBLING THE TRENCH SYSTEM.

TBH 22.5 - TRANSITIONAL BULK HEAD 22.5" LG (2X)

TRANSITION CHANNEL



COVER OPTIONS:
 P/N: 8011 QTY=2

STEEL, ALUMINUM, &
 VENTILATED OPTIONS
 AVAILABLE TOO.

PEDESTRIAN RATED - 200 LB. PER SQ. FOOT

DRAWN BY: ROBIN LEWIS

DATE: 3/9/2010

REVISION LEVEL: A

WEIGHT:

101 LBS.

MATERIAL:

FIBERCRETE



DESCRIPTION:

CHANNEL TRANSITION

DIMENSIONS ARE IN INCHES
 TOLERANCES:
 FRACTIONAL: ± 1/8"
 ANGULAR: ± 2°

CONTACT INFORMATION:
 EMAIL: INFO@CONCASTINC.COM
 PHONE: (507) 732-4095
 FAX: (507) 732-4094

PART NUMBER: 8010RT

SHEET 1 OF 1