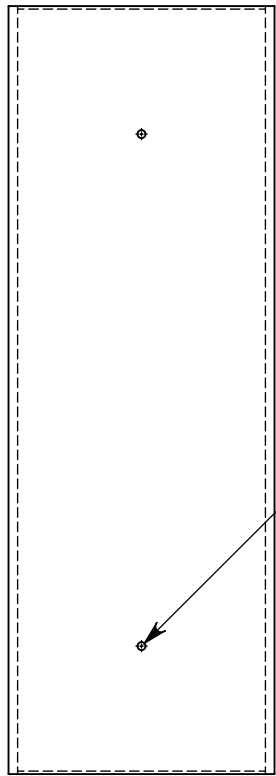
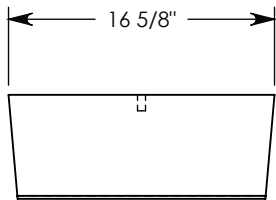


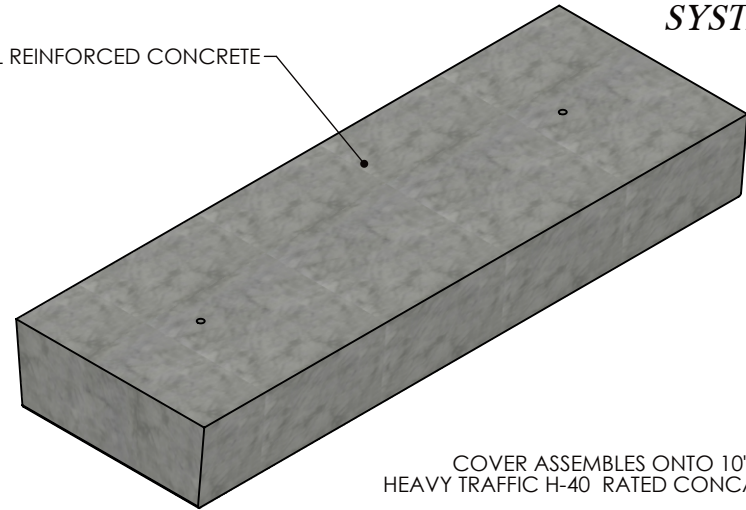
**FIBERCRETE<sup>®</sup>**  
**TRENCH**  
**SYSTEM**



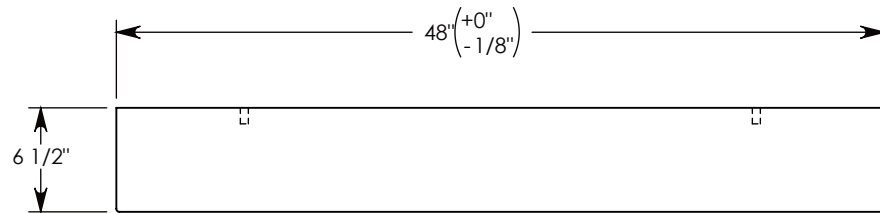
Ø 1/2"-13 UNC  
 LIFTING INSERTS (2X)



STEEL REINFORCED CONCRETE



COVER ASSEMBLES ONTO 10" INSIDE WIDTH  
 HEAVY TRAFFIC H-40 RATED CONCAST CHANNEL.



NOTE: FOR NON-STANDARD LENGTHS, THE PART NUMBER WILL  
 CORROSPOND TO IT'S MEASURED LENGTH. IE: 8011HT 18"

H-40 RATED - 64,000 LB. PER AXLE LOAD.

**DRAWN BY: ROBIN FLINT**

**DATE: 4/4/2016**

**REVISION LEVEL: 0**

**WEIGHT:**

**410 LBS.**

**MATERIAL:**

**CONCRETE**



1010 NORTH STAR DRIVE  
 P.O. BOX 69  
 ZUMBROTA, MN 55992-0069

**DESCRIPTION:**

**HEAVY TRAFFIC COVER**

DIMENSIONS ARE IN INCHES  
 TOLERANCES:  
 FRACTIONAL: ± 1/8"  
 ANGULAR: ± 2°

CONTACT INFORMATION:  
 EMAIL: INFO@CONCASTINC.COM  
 PHONE: (507) 732-4095  
 FAX: (507) 732-4094

SHEET 1 OF 1

**PART NUMBER:**

**8011HT**