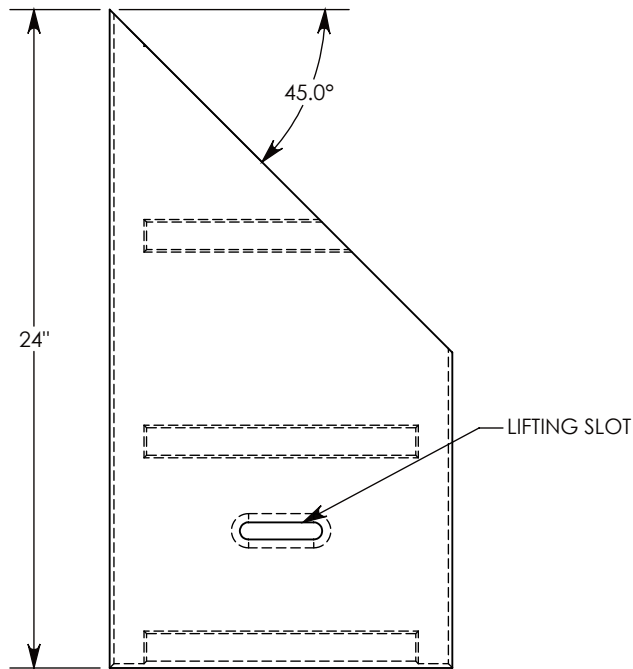
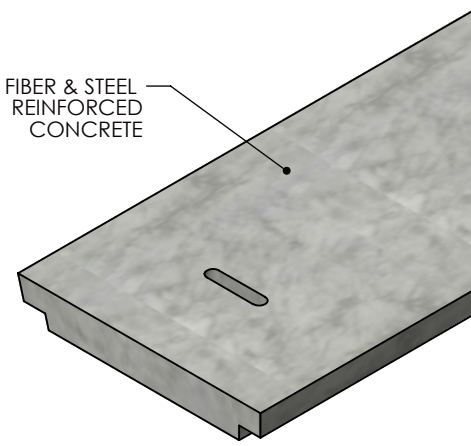


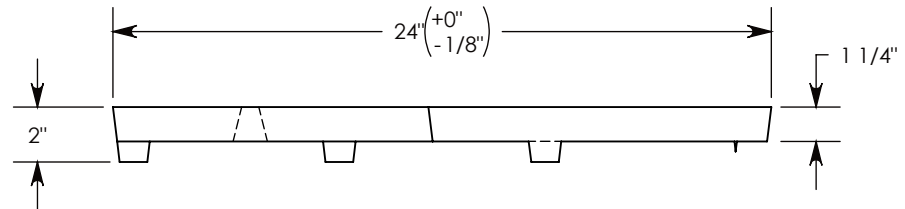
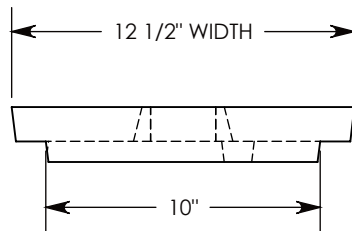
**FIBERCRETE<sup>®</sup>**  
**TRENCH**  
**SYSTEM**



FIBER & STEEL  
 REINFORCED  
 CONCRETE



COVER ASSEMBLES ONTO 10" INSIDE WIDTH  
 PEDESTRIAN RATED CONCAST CHANNEL.



**NOTE 1:** FOR NON-STANDARD LENGTHS, THE PART NUMBER WILL CORRESPOND TO IT'S MEASURED LENGTH. IE: 8011 45R 18"

PEDESTRIAN RATED - 200 LB. PER SQ. FOOT

<b>DRAWN BY: ROBIN FLINT</b>	
<b>DATE: 10/4/2015</b>	<b>REVISION LEVEL: 0</b>
<b>WEIGHT:</b>  22 LBS.	<b>MATERIAL:</b>  CAST FIBERCRETE

**CONCAST**  
 1010 NORTH STAR DRIVE  
 P.O. BOX 69  
 ZUMBROTA, MN 55992-0069

<b>DESCRIPTION:</b> <b>PEDESTRIAN FC COVER 45 DEG. ANGLE</b>		
DIMENSIONS ARE IN INCHES TOLERANCES: FRACTIONAL: ± 1/8" ANGULAR: ± 2°	CONTACT INFORMATION: EMAIL: INFO@CONCASTINC.COM PHONE: (507) 732-4095 FAX: (507) 732-4094	SHEET 1 OF 1
<b>PART NUMBER:</b> <b>8011 45R</b>		