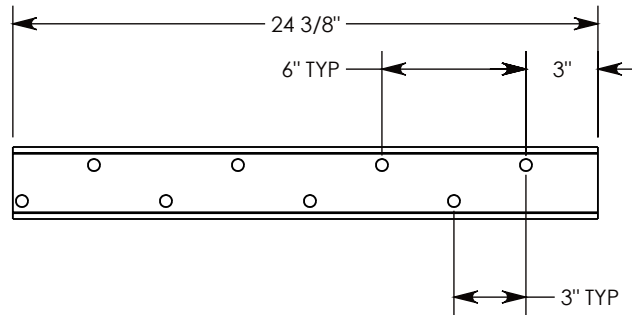


DETAIL A
SCALE 1 : 6



AASHTO H-20 RATED – 32,000 LB. SINGLE AXLE LOAD

DRAWN BY: SAMUEL CALLAHAN

CREATED DATE: 4/12/2024 **REVISION LEVEL:** A

SAVED DATE: 5/6/2024 **SAVED BY:** scallahan

WEIGHT: 67 LBS. **MATERIAL:** FRP



1010 NORTH STAR DRIVE
P.O. BOX 69
ZUMBROTA, MN 55992-0069

DESCRIPTION:

HIGH CAPACITY FRP GRATING COVER

DIMENSIONS ARE IN INCHES
TOLERANCES:
FRACTIONAL: ± 1/8"
ANGULAR: ± 2°

CONTACT INFORMATION:
EMAIL: INFO@CONCASTINC.COM
PHONE: (507) 732-4095
FAX: (507) 732-4094

SHEET 1 OF 1

PART NUMBER:

8021HT3FRPV