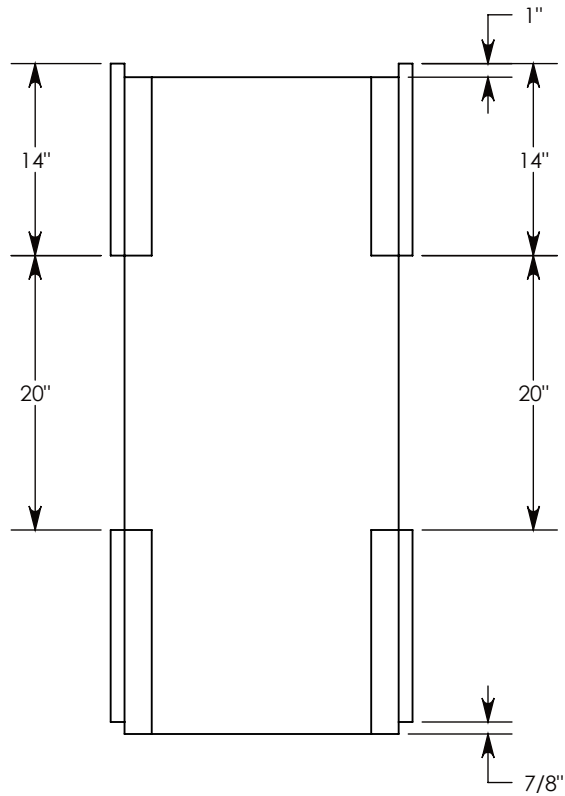
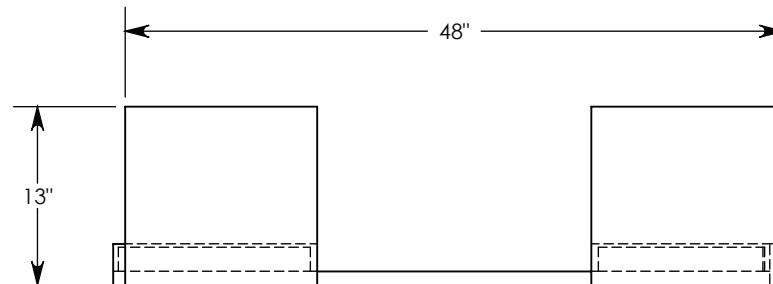
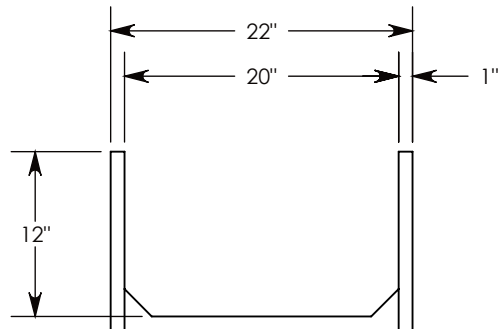
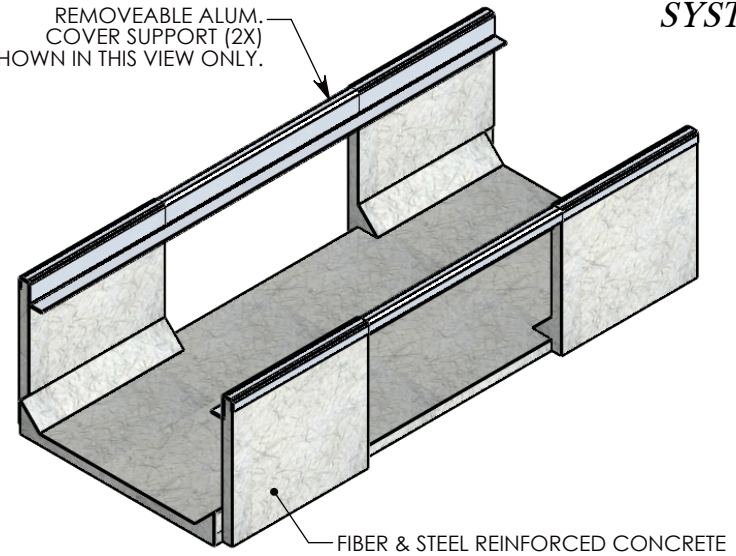


**FIBERCRETE<sup>®</sup>**  
**TRENCH**  
**SYSTEM**



REMOVEABLE ALUM.  
 COVER SUPPORT (2X)  
 SHOWN IN THIS VIEW ONLY.



PEDESTRIAN RATED - 200 LB. PER SQ. FOOT

**DRAWN BY:** ROBIN FLINT

**CREATED DATE:** 3/11/2002    **REVISION LEVEL:** A

**SAVED DATE:** 5/15/2020    **SAVED BY:** scallahan

**WEIGHT:** 131 LBS.    **MATERIAL:** FIBERCRETE



**CONCAST**  
 1010 NORTH STAR DRIVE  
 P.O. BOX 69  
 ZUMBROTA, MN 55992-0069

**DESCRIPTION:**  
**PEDESTRIAN UNIVERSAL CHANNEL**

DIMENSIONS ARE IN INCHES  
 TOLERANCES:  
 FRACTIONAL: ± 1/8"  
 ANGULAR: ± 2°

CONTACT INFORMATION:  
 EMAIL: INFO@CONCASTINC.COM  
 PHONE: (507) 732-4095  
 FAX: (507) 732-4094

SHEET 1 OF 1

**PART NUMBER:**  
**8022 (20X20)**