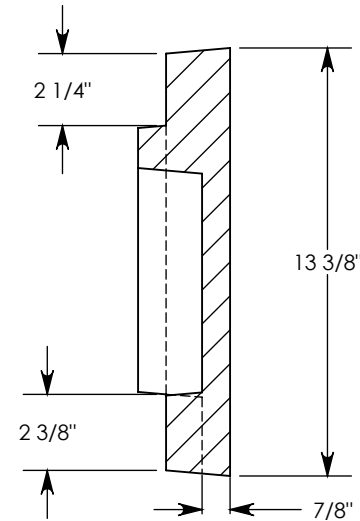
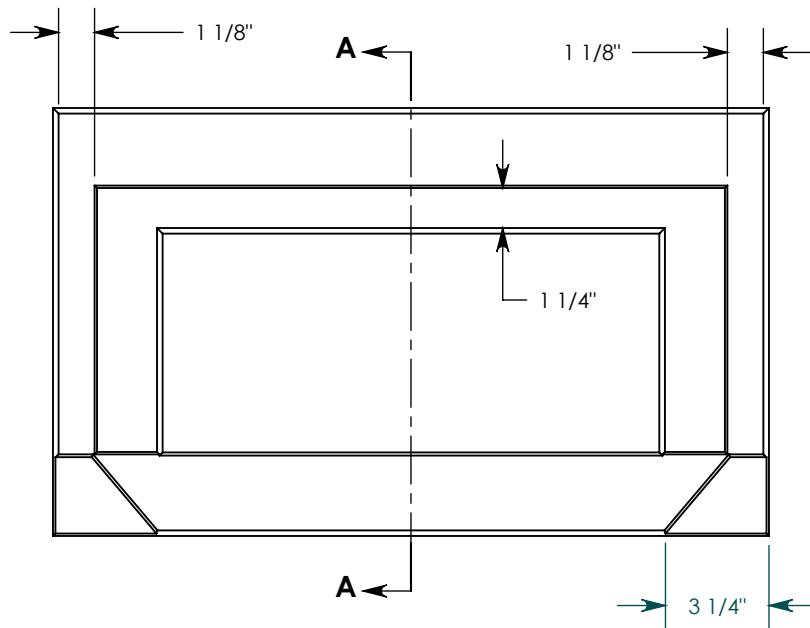
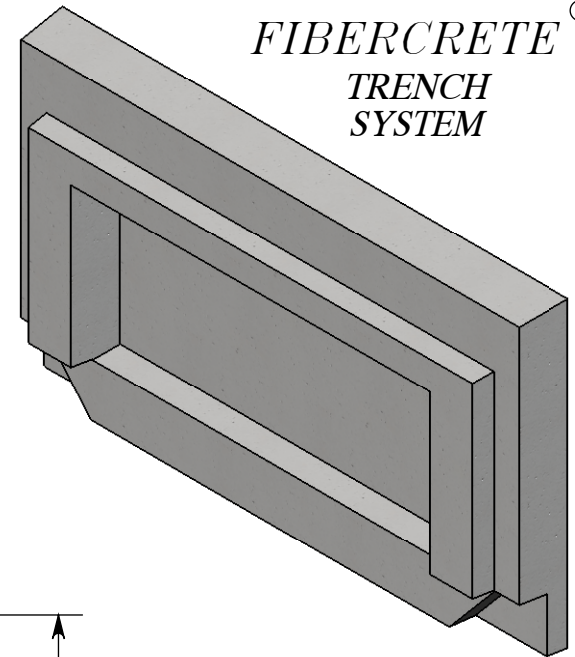
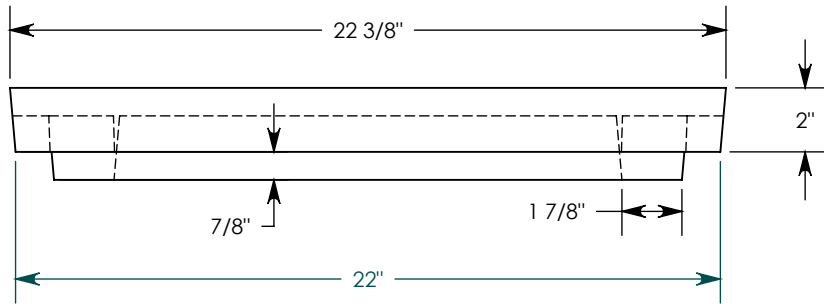


FIBERCRETE[®]
TRENCH SYSTEM



SECTION A-A

PEDESTRIAN RATED - 200 LB. PER SQ. FOOT

DRAWN BY: ROBIN LEWIS

DATE: 9/21/2010

REVISION LEVEL: 0

WEIGHT:

41 LBS.

MATERIAL:

CAST FIBERCRETE



DESCRIPTION:

END PLATE

DIMENSIONS ARE IN INCHES
 TOLERANCES:
 FRACTIONAL: ± 1/8"
 ANGULAR: ± 2°

CONTACT INFORMATION:
 EMAIL: INFO@CONCASTINC.COM
 PHONE: (507) 732-4095
 FAX: (507) 732-4094

SHEET 1 OF 1

PART NUMBER:

8023