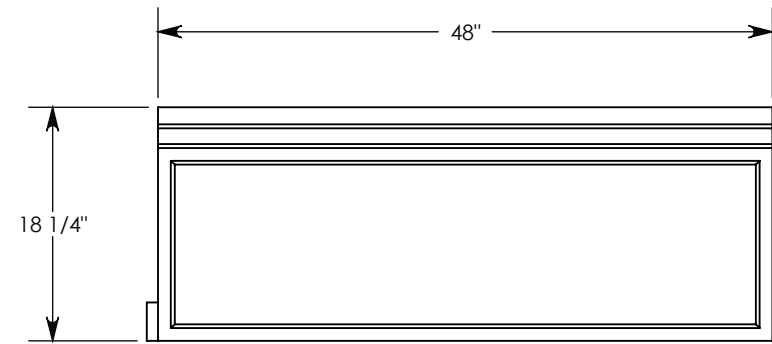
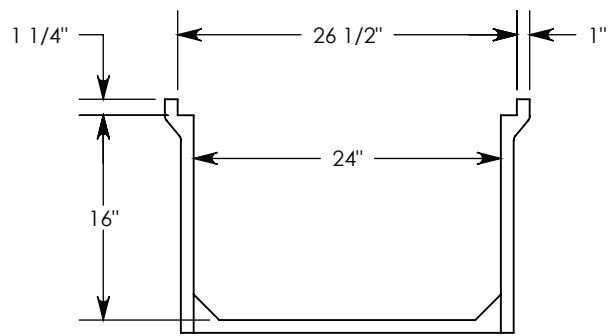
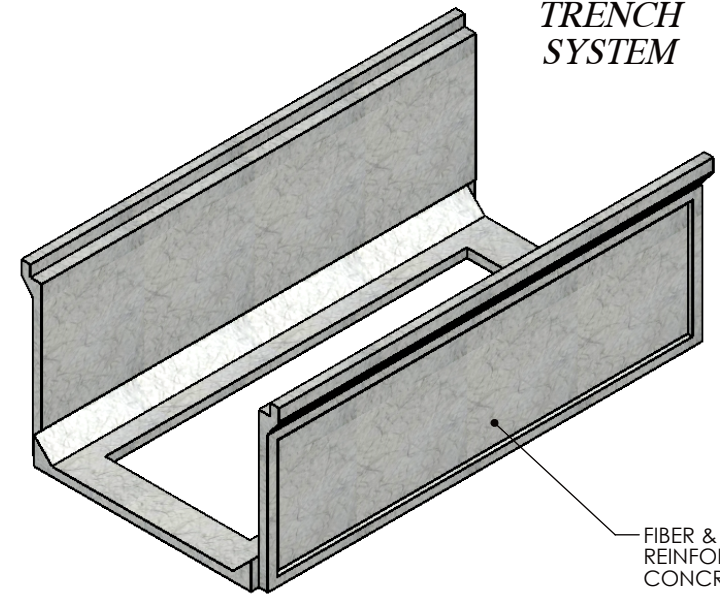
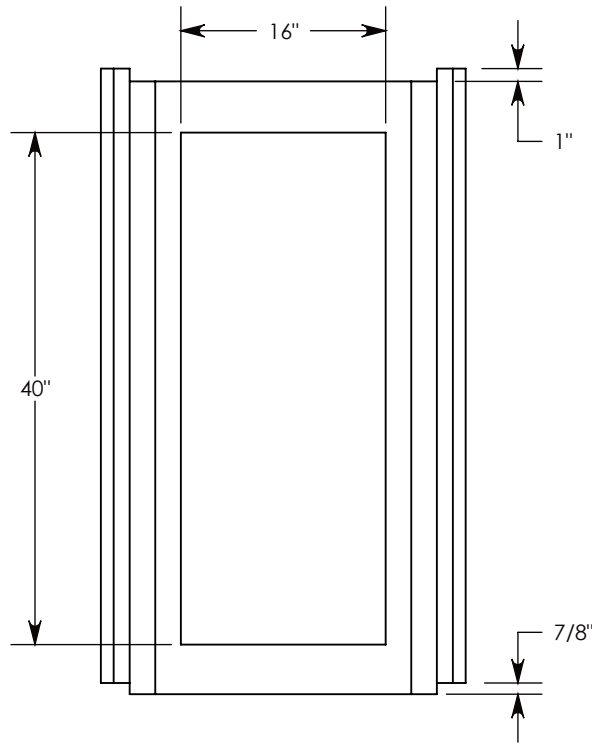


**FIBERCRETE<sup>®</sup>**  
**TRENCH**  
**SYSTEM**



NOTE: FOR NON-STANDARD LENGTHS THE CHANNEL WILL BE SOLID BOTTOM AND DESIGNATED WITH ITS CORRESPONDING LENGTH MEASUREMENT. IE: 802016F 32"

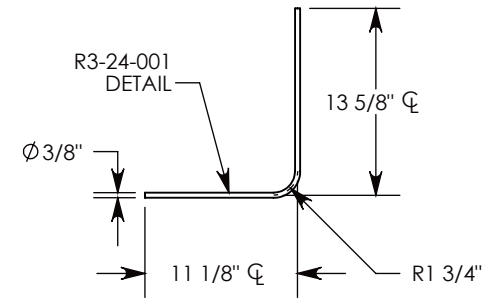
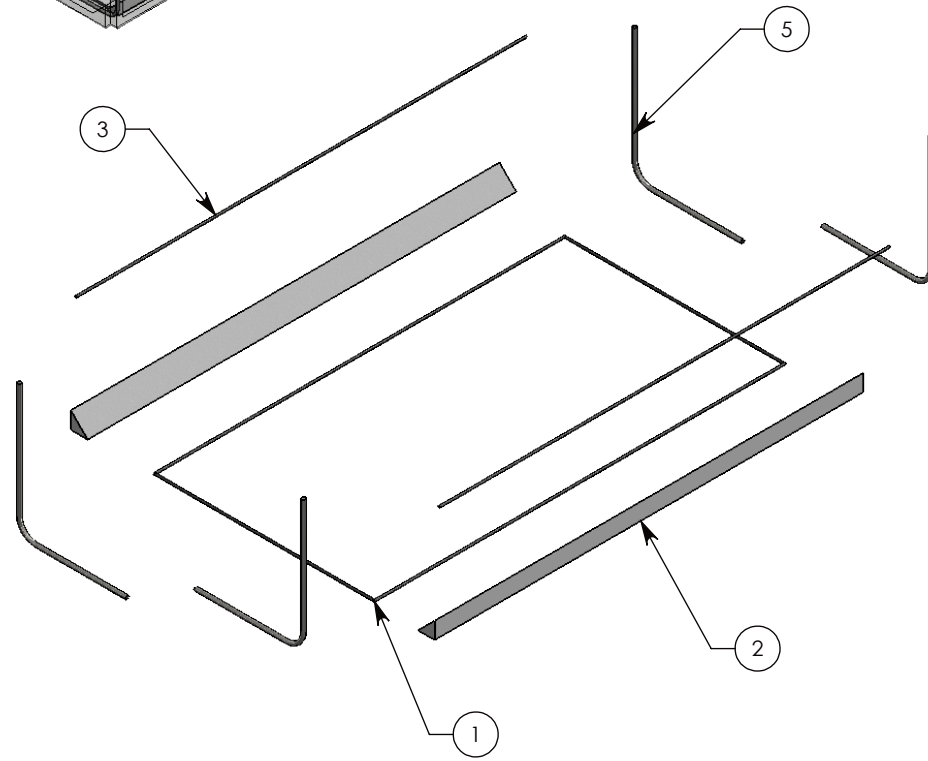
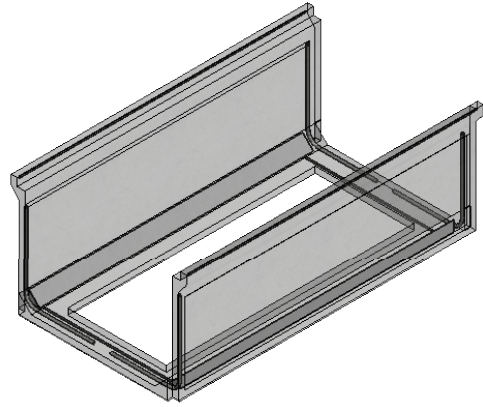
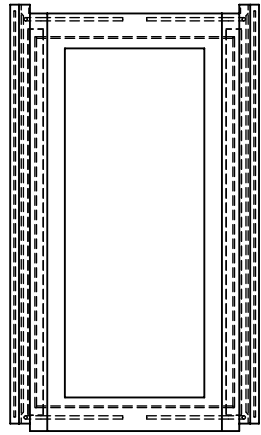
PEDESTRIAN RATED - 200 LB. PER SQ. FOOT

<b>DRAWN BY: ROBIN LEWIS</b>	
<b>DATE: 2/20/2017</b>	<b>REVISION LEVEL: 0</b>
<b>WEIGHT: 161 LBS.</b>	<b>MATERIAL: NOTED</b>

**CONCAST**  
 1010 NORTH STAR DRIVE  
 P.O. BOX 69  
 ZUMBROTA, MN 55992-0069

<b>DESCRIPTION:</b>		
<b>FLUSH PEDESTRIAN CHANNEL</b>		
DIMENSIONS ARE IN INCHES TOLERANCES: FRACTIONAL: ± 1/8" ANGULAR: ± 2°	CONTACT INFORMATION: EMAIL: INFO@CONCASTINC.COM PHONE: (507) 732-4095 FAX: (507) 732-4094	SHEET 1 OF 1
<b>PART NUMBER: 802416F</b>		

ITEM NO.	PART NUMBER	DESCRIPTION	QTY.
1	C8024	REBAR CAGE FOR 24" PED CHANNELS	1
2	DP31570	FOAM CORNER - 44 1/4" LONG	2
3	D3-46.5	46 1/2" LONG D3 WIRE	2
4	MIX-FIBERSPRAY	SPRAY UP FIBERCRETE	2144
5	R3-24-001	24" LONG #3 REBAR - BENT	4



**DRAWN BY: JESSE GUTTING**

**DATE: 2/20/2017**      **REVISION LEVEL: 0**

**WEIGHT: 161 LBS.**      **MATERIAL: NOTED**



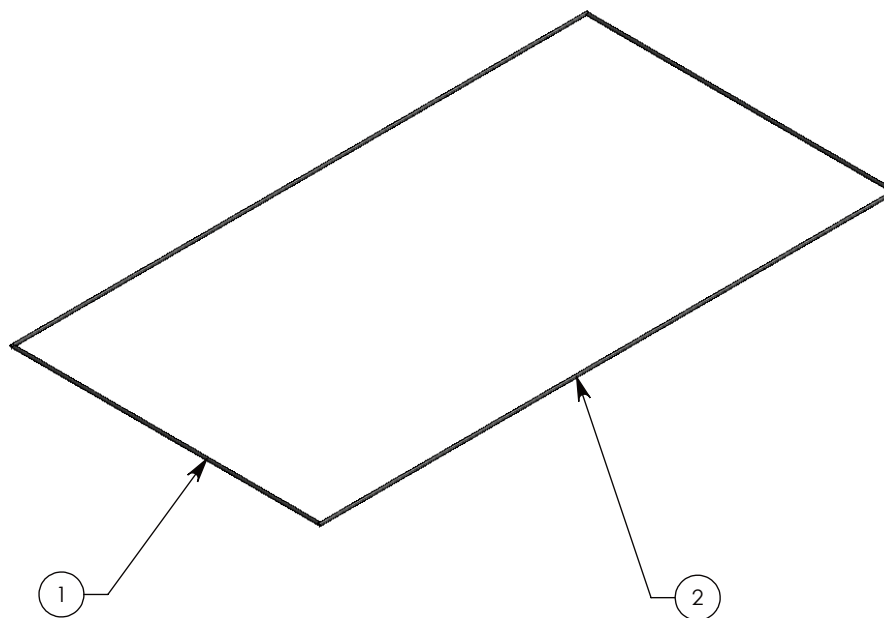
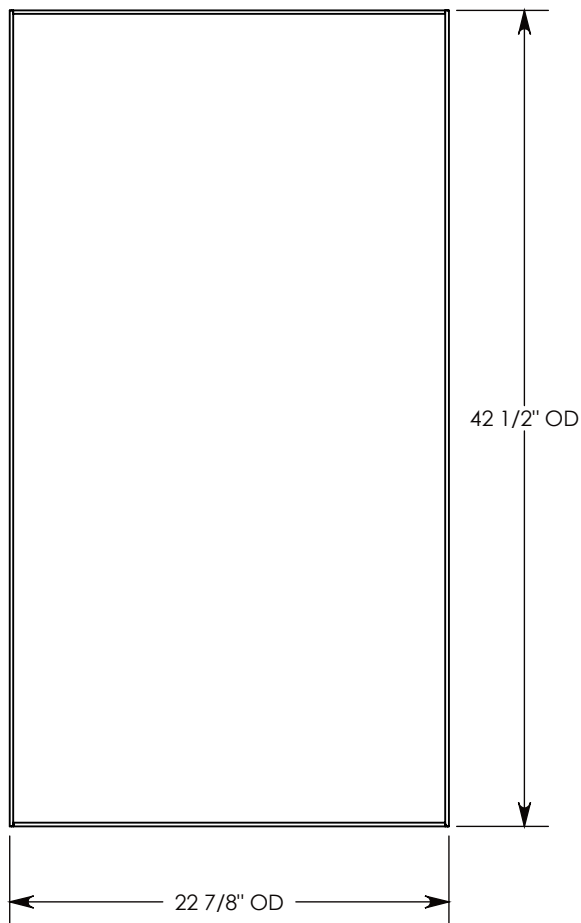
**CONCAST**  
 1010 NORTH STAR DRIVE  
 P.O. BOX 69  
 ZUMBROTA, MN 55992-0069

**DESCRIPTION:**  
**FLUSH PEDESTRIAN CHANNEL**

DIMENSIONS ARE IN INCHES TOLERANCES: FRACTIONAL: ± 1/8" ANGULAR: ± 2°	CONTACT INFORMATION: EMAIL: INFO@CONCASTINC.COM PHONE: (507) 732-4095 FAX: (507) 732-4094	SHEET 1 OF 3
--	--	--------------

**PART NUMBER: 802416F**

ITEM NO.	PART NUMBER	DESCRIPTION	QTY.
1	D3-22.5	22 1/2" LONG D3 WIRE	2
2	D3-42.5	42 1/2" LONG D3 WIRE	2



NOTE 1: REINFORCES PEDESTRIAN RATED CHANNEL P/N: 8024

**DRAWN BY: JESSE GUTING**

**DATE: 2/20/2017**

**REVISION LEVEL: 0**

**WEIGHT:**

**1 LBS.**

**MATERIAL:**

**WELDABLE STEEL WIRE**



**DESCRIPTION:**

**REBAR CAGE FOR 24" PED CHANNELS**

DIMENSIONS ARE IN INCHES  
 TOLERANCES:  
 FRACTIONAL: ± 1/8"  
 ANGULAR: ± 2°

CONTACT INFORMATION:  
 EMAIL: INFO@CONCASTINC.COM  
 PHONE: (507) 732-4095  
 FAX: (507) 732-4094

SHEET 1 OF 3

**PART NUMBER:**

**C8024**