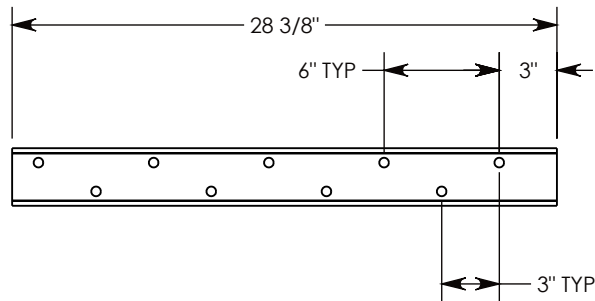


DETAIL A  
SCALE 1 : 6



AASHTO H-20 RATED – 32,000 LB. SINGLE AXLE LOAD

**DRAWN BY:** SAMUEL CALLAHAN

**CREATED DATE:** 4/12/2024 **REVISION LEVEL:** A

**SAVED DATE:** 5/6/2024 **SAVED BY:** scallahan

**WEIGHT:** 78 LBS. **MATERIAL:** FRP



1010 NORTH STAR DRIVE  
P.O. BOX 69  
ZUMBROTA, MN 55992-0069

**DESCRIPTION:**

**HIGH CAPACITY FRP GRATING COVER**

DIMENSIONS ARE IN INCHES  
TOLERANCES:  
FRACTIONAL: ± 1/8"  
ANGULAR: ± 2°

CONTACT INFORMATION:  
EMAIL: INFO@CONCASTINC.COM  
PHONE: (507) 732-4095  
FAX: (507) 732-4094

SHEET 1 OF 1

**PART NUMBER:**

**8025HT3FRPV**