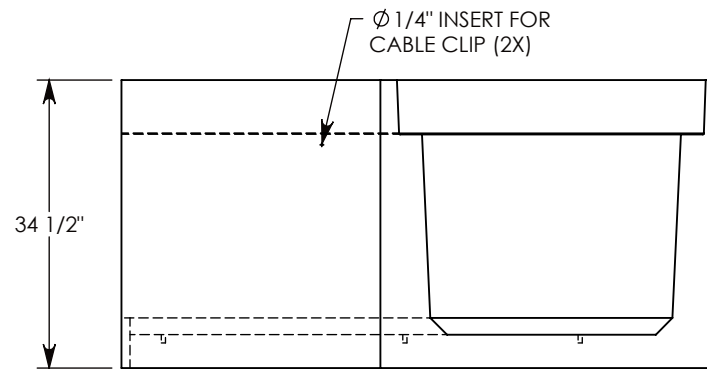
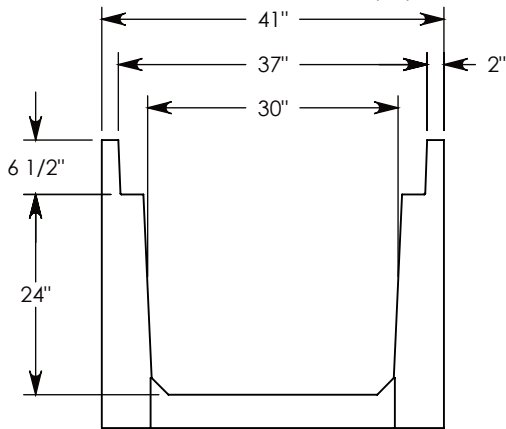
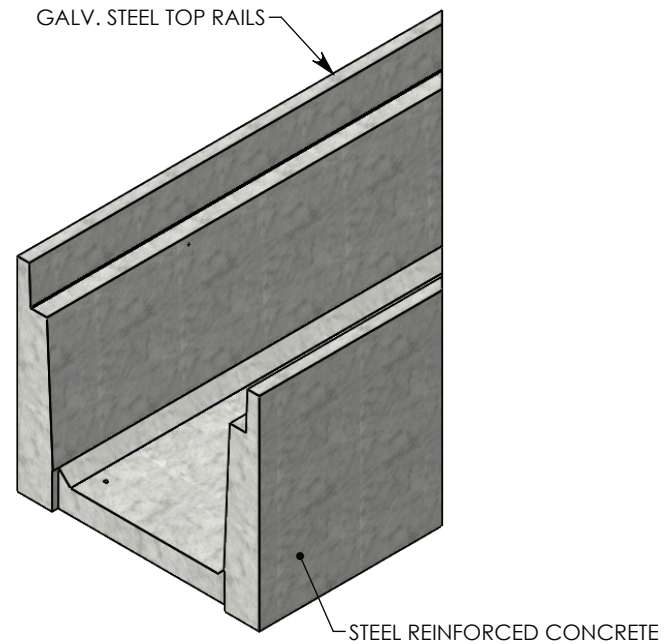
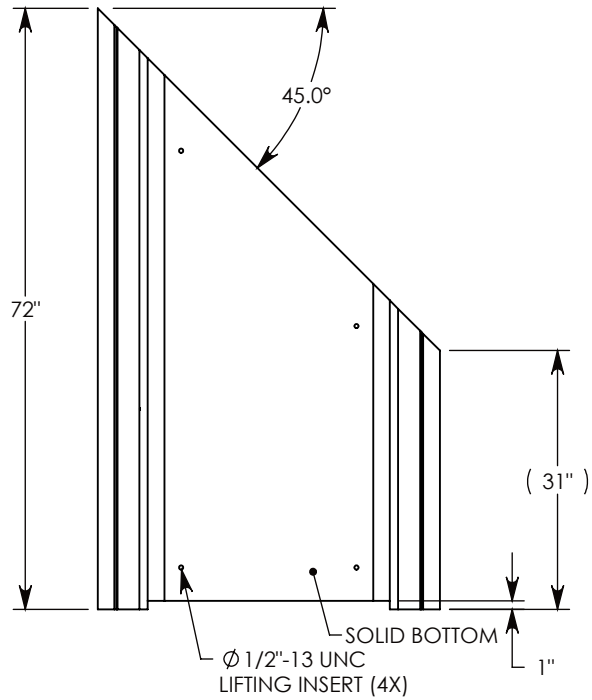


REV. A - RLF - 10/7/2016 - 72" LENGTH WAS 48"

REV. B - SIC - 8/12/2020 - UPDATED ANNOTATIONS; UPDATED WEIGHT RATING TO MAX H-40, WAS H-20; ADDED SOIL BEARING PRESSURES: 1/4" CABLE CLIP INSERT QTY: 2, WAS QTY: 1



MAX AASHTO H-40 RATED - 64,000 LB. SINGLE AXLE LOAD  
 DEPENDENT ON TRENCH COVER RATING  
 MINIMUM ALLOWABLE SOIL BEARING PRESSURE - H-40: 3,000 PSF; H-20: 3,000 PSF

**DRAWN BY: ROBIN FLINT**

**CREATED DATE: 3/21/2011**    **REVISION LEVEL: B**

**SAVED DATE: 8/12/2020**    **SAVED BY: scallahan**

**WEIGHT: 1937 LBS.**    **MATERIAL: CONCRETE**



1010 NORTH STAR DRIVE  
 P.O. BOX 69  
 ZUMBROTA, MN 55992-0069

**DESCRIPTION:**  
**HT CHANNEL; 45 DEG. ANGLE**

DIMENSIONS ARE IN INCHES  
 TOLERANCES:  
 FRACTIONAL: ± 1/8"  
 ANGULAR: ± 2°

CONTACT INFORMATION:  
 EMAIL: INFO@CONCASTINC.COM  
 PHONE: (507) 732-4095  
 FAX: (507) 732-4094

SHEET 1 OF 1

**PART NUMBER:**  
**803024HT 45R**