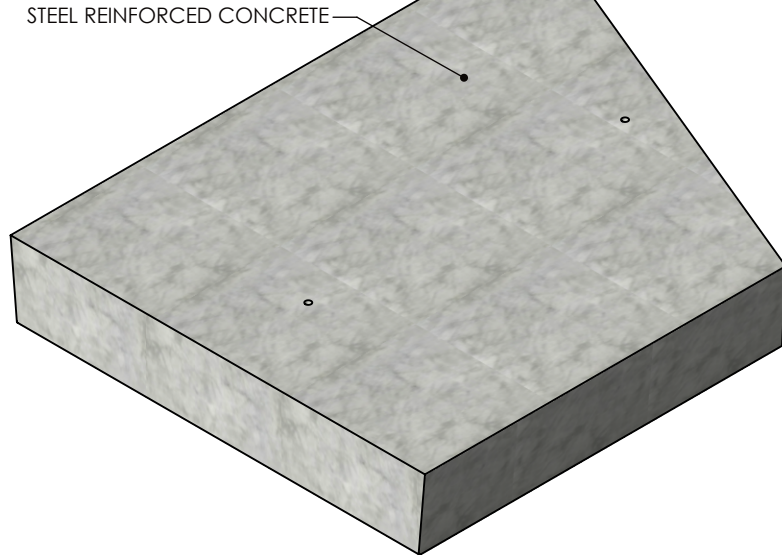
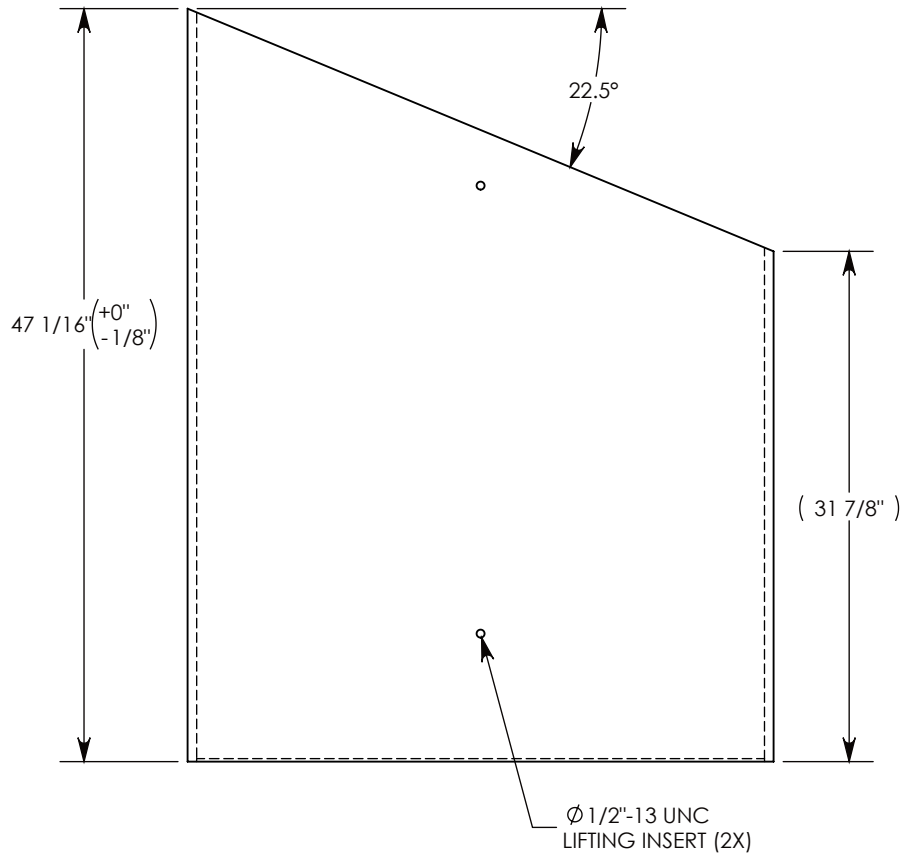
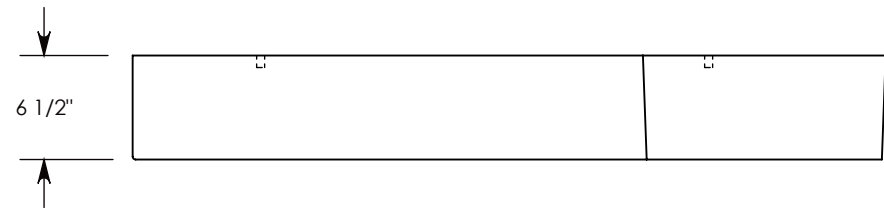
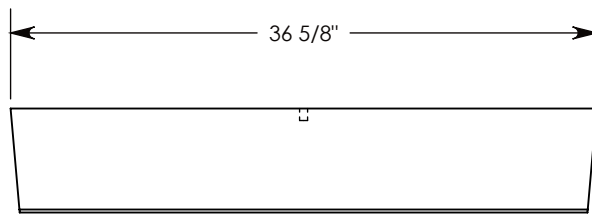


FIBERCRETE[®]
TRENCH
SYSTEM



COVER ASSEMBLES ONTO 30" INSIDE WIDTH HEAVY TRAFFIC RATED CONCAST HT CHANNEL.



H-40 RATED - 64,000 LB. PER AXLE LOAD.

DRAWN BY: ROBIN FLINT

DATE: 5/30/2018

REVISION LEVEL: A

WEIGHT:

758 LBS.

MATERIAL:

CONCRETE



1010 NORTH STAR DRIVE
 P.O. BOX 69
 ZUMBROTA, MN 55992-0069

DESCRIPTION:

HEAVY TRAFFIC COVER - 22.5 DEG. ANGLE

DIMENSIONS ARE IN INCHES
 TOLERANCES:
 FRACTIONAL: $\pm 1/8''$
 ANGULAR: $\pm 2^\circ$

CONTACT INFORMATION:
 EMAIL: INFO@CONCASTINC.COM
 PHONE: (507) 732-4095
 FAX: (507) 732-4094

SHEET 1 OF 1

PART NUMBER:

8031HT 22.5R