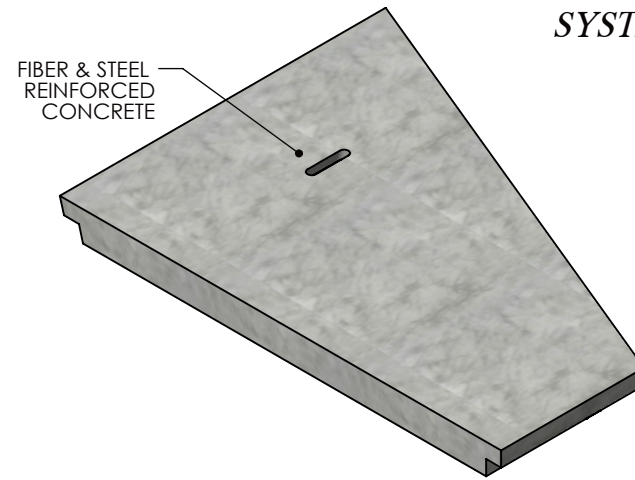
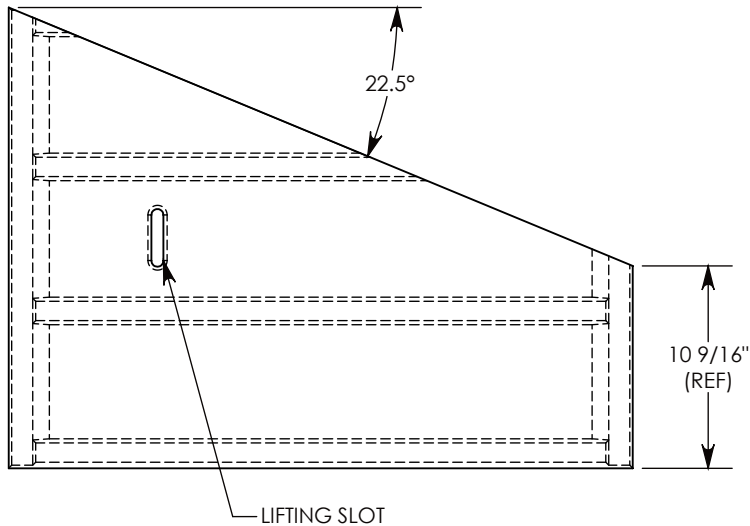
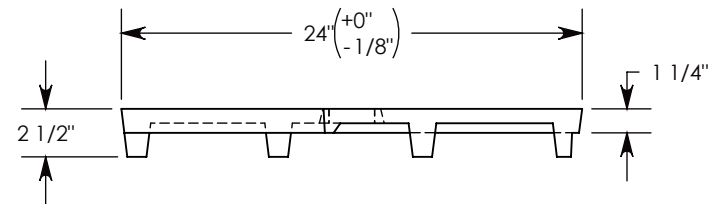
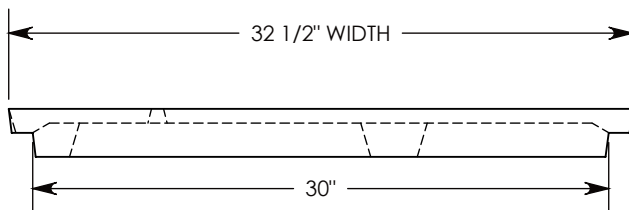


FIBERCRETE[®] TRENCH SYSTEM



COVER ASSEMBLES ONTO 30" INSIDE WIDTH
PEDESTRIAN RATED CONCAST CHANNEL.



PEDESTRIAN RATED - 200 LB. PER SQ. FOOT

NOTE 1: FOR NON-STANDARD LENGTHS, THE PART NUMBER WILL CORRESPOND TO IT'S MEASURED LENGTH. IE: 8031 22.5R 18"

DRAWN BY: ROBIN FLINT

DATE: 10/4/2015

REVISION LEVEL: 0

WEIGHT:

46 LBS.

MATERIAL:

CAST FIBERCRETE



1010 NORTH STAR DRIVE
P.O. BOX 69
ZUMBROTA, MN 55992-0069

DESCRIPTION:

PEDESTRIAN FC COVER 22.5 DEG. ANGLE

DIMENSIONS ARE IN INCHES
TOLERANCES:
FRACTIONAL: $\pm 1/8"$
ANGULAR: $\pm 2^\circ$

CONTACT INFORMATION:
EMAIL: INFO@CONCASTINC.COM
PHONE: (507) 732-4095
FAX: (507) 732-4094

SHEET 1 OF 1

PART NUMBER:

8031 22.5R