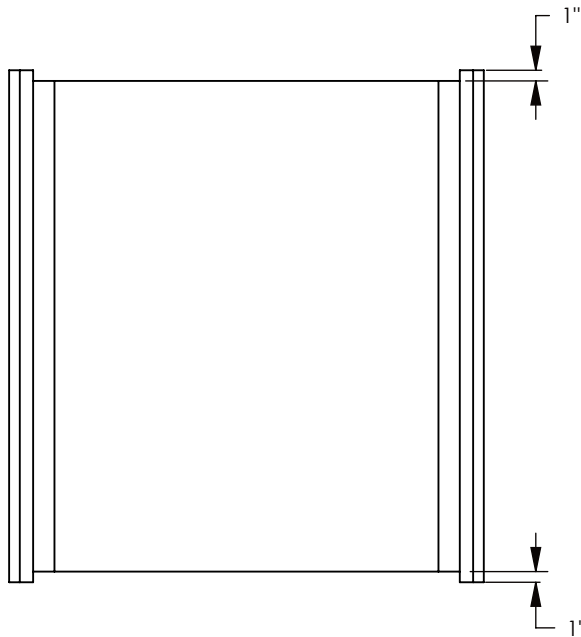


**FIBERCRETE<sup>®</sup>**  
**TRENCH SYSTEM**

**REFERENCE ASSEMBLY**



8040HT ETC.  
12" INSIDE DEPTH  
HEAVY TRAFFIC  
CHANNEL

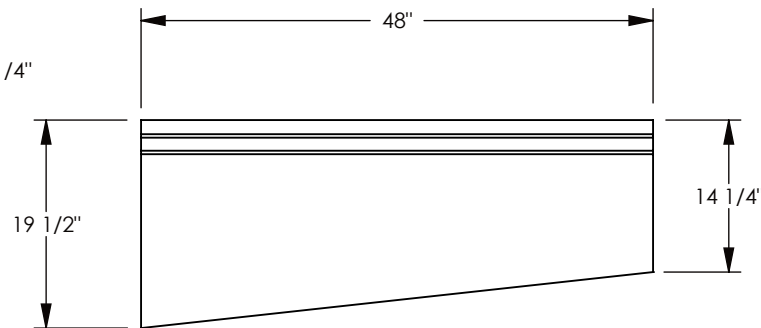
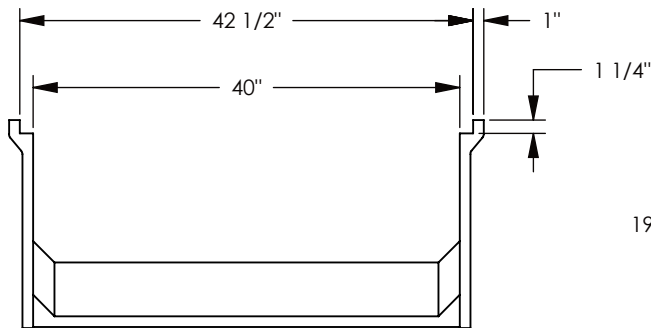
USE VULKEM POLYURETHANE  
SEALANT TO ATTACH & SEAL  
THE BULK HEADS TO THE ROAD  
CHANNEL WHEN ASSEMBLING  
THE TRENCH SYSTEM.

8040F ETC.  
12" INSIDE DEPTH  
FLUSH PED. CHANNEL

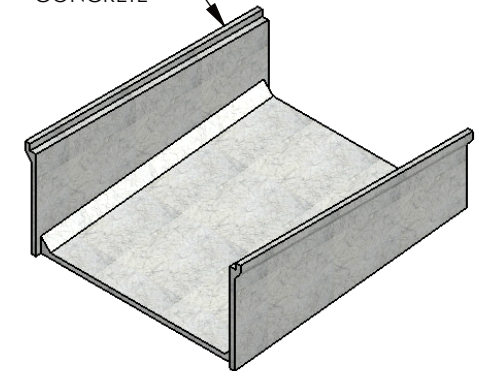
8040FSRT



TBH 22.5 TRANSITIONAL  
BULK HEAD 22.5" LG (2X)



FIBER & STEEL  
REINFORCED  
CONCRETE



PEDESTRIAN RATED - 200 LB. PER SQ. FOOT

**DRAWN BY: ROBIN FLINT**

**DATE: 12/21/2011**

**REVISION LEVEL: 0**

**WEIGHT:**

**263 LBS.**

**MATERIAL:**

**FIBERCRETE**

**CONCAST**  
 1010 NORTH STAR DRIVE  
 P.O. BOX 69  
 ZUMBROTA, MN 55992-0069

**DESCRIPTION:**

**FLUSH TRANSITION CHANNEL**

DIMENSIONS ARE IN INCHES

TOLERANCES:  
 FRACTIONAL: ± 1/8"  
 ANGULAR: ± 2°

CONTACT INFORMATION:  
 EMAIL: INFO@CONCASTINC.COM  
 PHONE: (507) 732-4095  
 FAX: (507) 732-4094

**PART NUMBER: 8040FSRT**

SHEET 1 OF 1