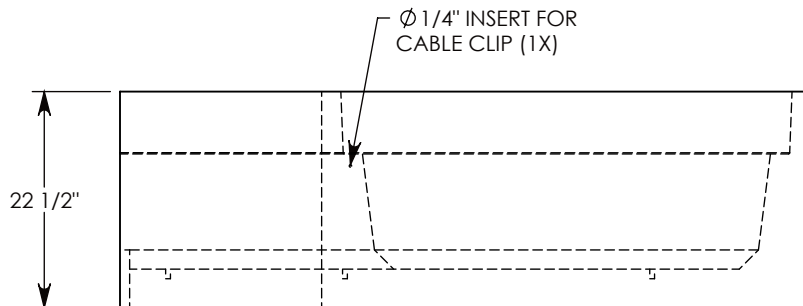
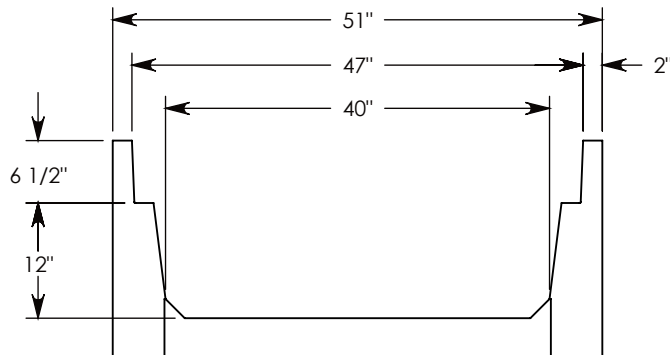
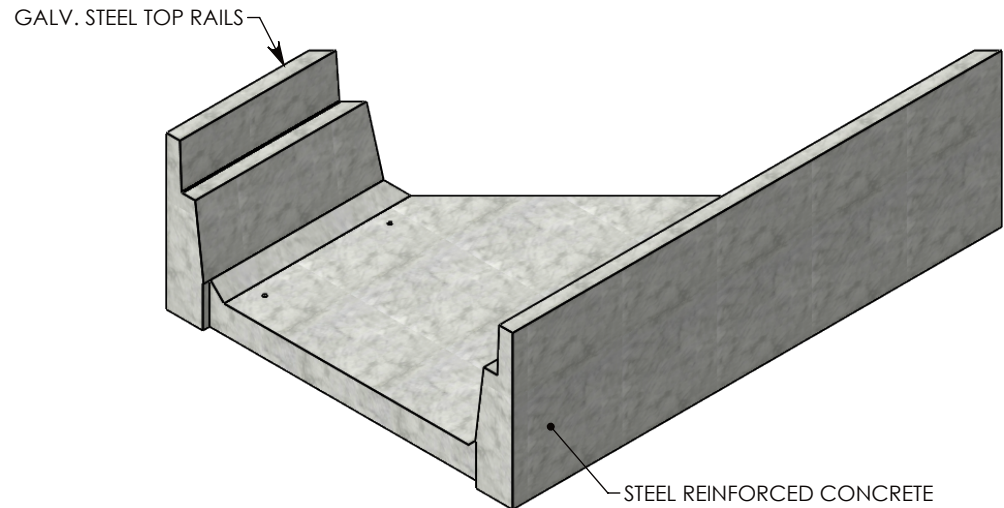
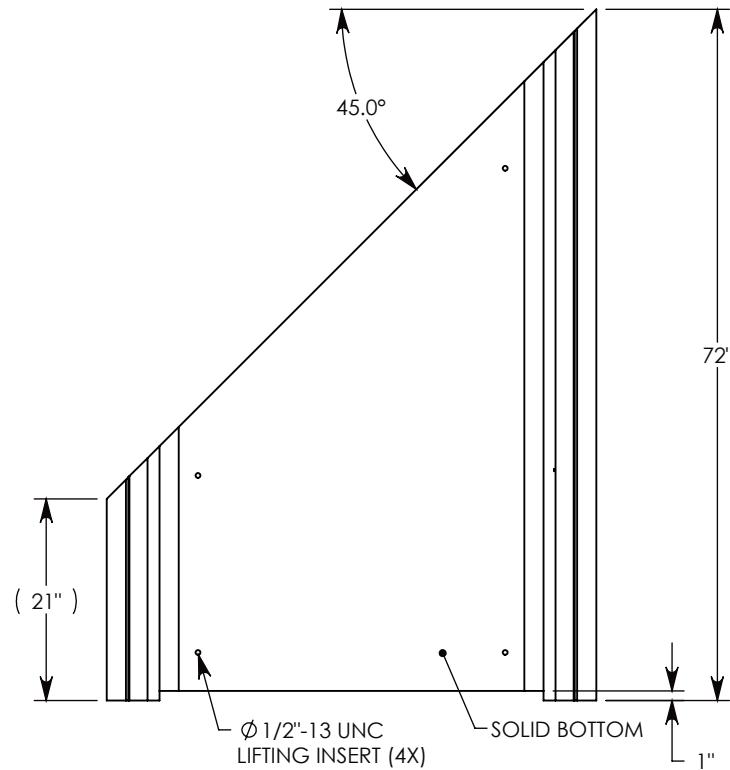


REV. B - SIC - 7/27/2020 - UPDATED ANNOTATIONS; UPDATED WEIGHT RATING NOTE; ADDED SOIL BEARING PRESSURE; 1/2"-13 UNC LIFTING INSERT QTY: 4, WAS QTY: 3; 1/4" CABLE CLIP INSERT QTY: 1, WAS QTY: 2



AASHTO H-20 RATED - 32,000 LB. SINGLE AXLE LOAD  
MINIMUM ALLOWABLE SOIL BEARING PRESSURE - 3,000 PSF

**DRAWN BY:** ROBIN FLINT

**CREATED DATE:** 3/21/2011 **REVISION LEVEL:** B

**SAVED DATE:** 7/27/2020 **SAVED BY:** scallahan

**WEIGHT:** 1339 LBS. **MATERIAL:** CONCRETE

**CONCAST**  
1010 NORTH STAR DRIVE  
P.O. BOX 69  
ZUMBROTA, MN 55992-0069

**DESCRIPTION:**  
**HT CHANNEL; 45 DEG. ANGLE**

DIMENSIONS ARE IN INCHES  
TOLERANCES:  
FRACTIONAL: ± 1/8"  
ANGULAR: ± 2°

CONTACT INFORMATION:  
EMAIL: INFO@CONCASTINC.COM  
PHONE: (507) 732-4095  
FAX: (507) 732-4094

SHEET 1 OF 1

**PART NUMBER:**  
**8040HT 45L**