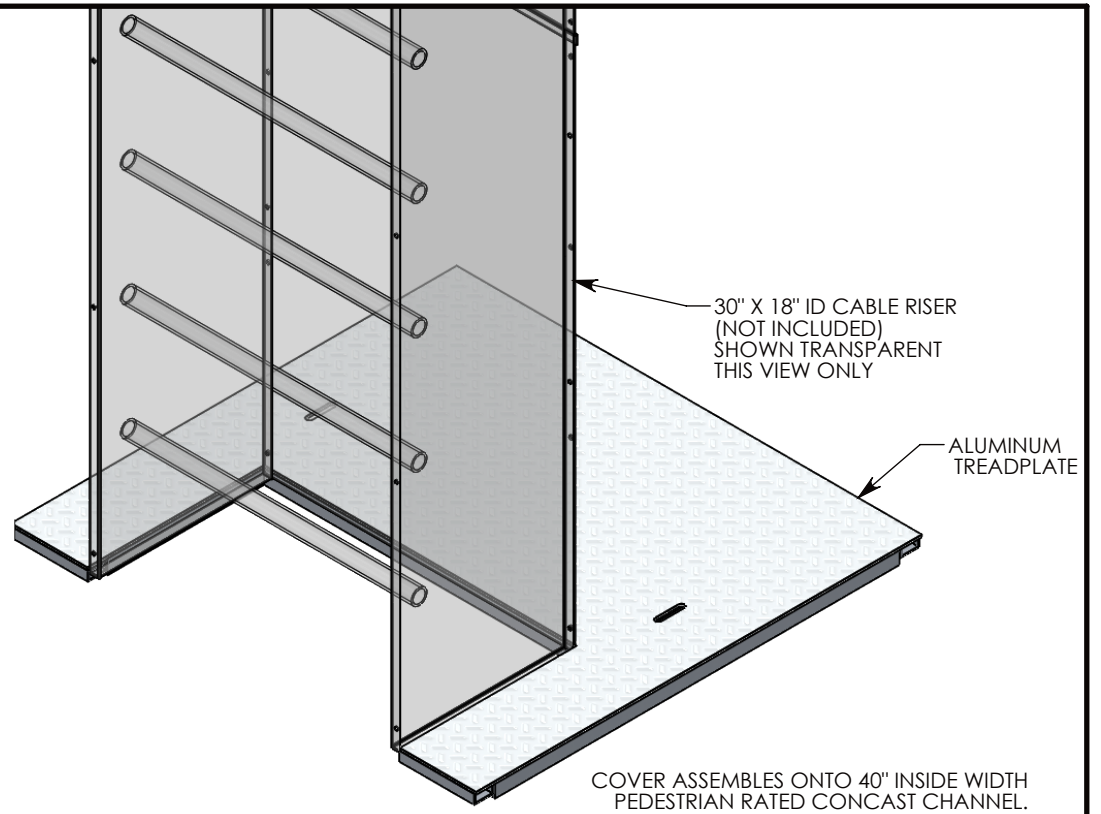
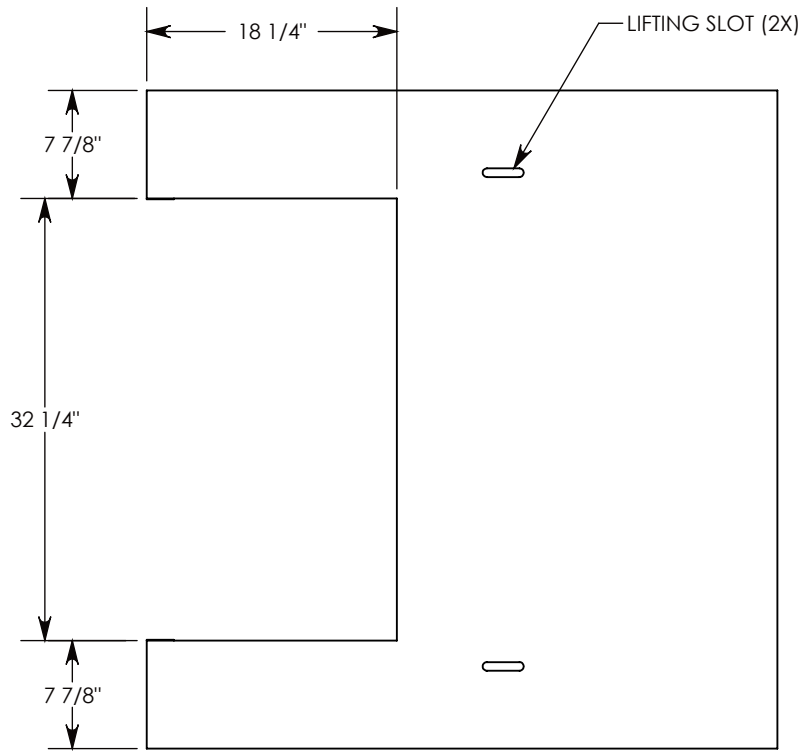
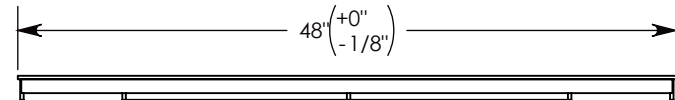
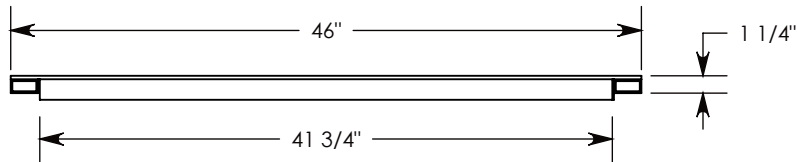


REV. A: TCJ - 3/15/2019 - MADE RIB WIDTH .25" SHORTER (NOW 41.75")
 REV. B - SIC - 8/29/2019 - REMOVED FIBERRETE AND TRENCH SYSTEM NOTE



COVER ASSEMBLES ONTO 40" INSIDE WIDTH PEDESTRIAN RATED CONCAST CHANNEL.



PEDESTRIAN RATED - 200 LB. PER SQ. FOOT

DRAWN BY: ROBIN FLINT

DATE: 8/29/2019

REVISION LEVEL: B

WEIGHT:

54 LBS.

MATERIAL:

WELDED ALUMINUM

CONCAST
 1010 NORTH STAR DRIVE
 P.O. BOX 69
 ZUMBROTA, MN 55992-0069

DESCRIPTION:

CABLE RISER NOTCHED AL TRENCH COVER

DIMENSIONS ARE IN INCHES
 TOLERANCES:
 FRACTIONAL: ± 1/8"
 ANGULAR: ± 2°

CONTACT INFORMATION:
 EMAIL: INFO@CONCASTINC.COM
 PHONE: (507) 732-4095
 FAX: (507) 732-4094

SHEET 1 OF 2

PART NUMBER:

8041PTATN (32X18)