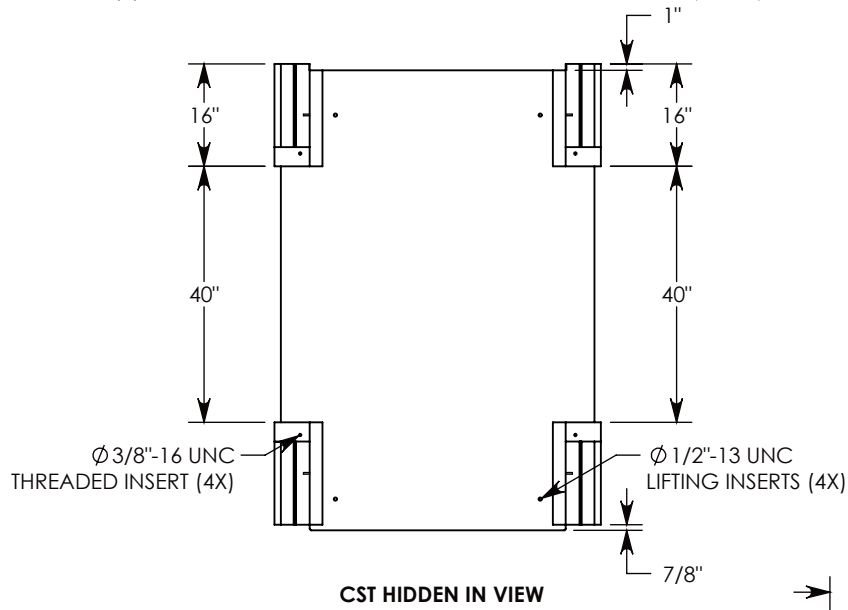


REV. A - SIC - 8/23/2019 - ADDED CABLE CLIP INSERTS; UPDATED VIEWS AND ANNOTATIONS

REV. B - SIC - 10/7/2020 - ADDED TOP RAIL REDUCTION FEATURE TO CHANGE TOP RAIL TO 2", WAS 3"; REPLACED RIGHT VIEW WITH SECTION A-A; ADDED DETAIL B; REVISED CSTT DESIGN; ADDED WEIGHT

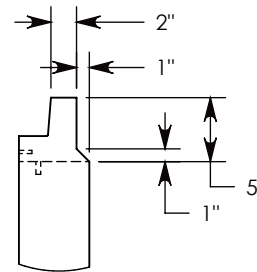
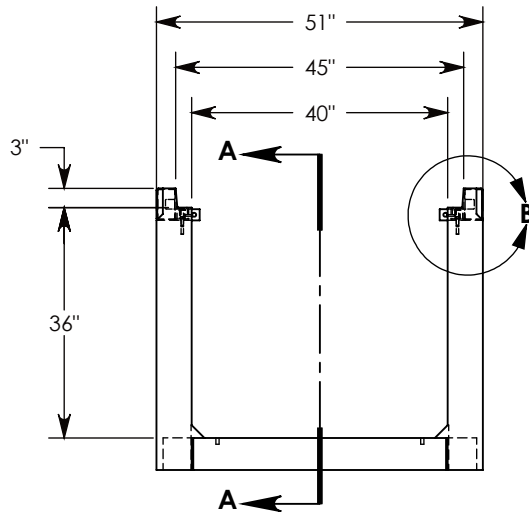
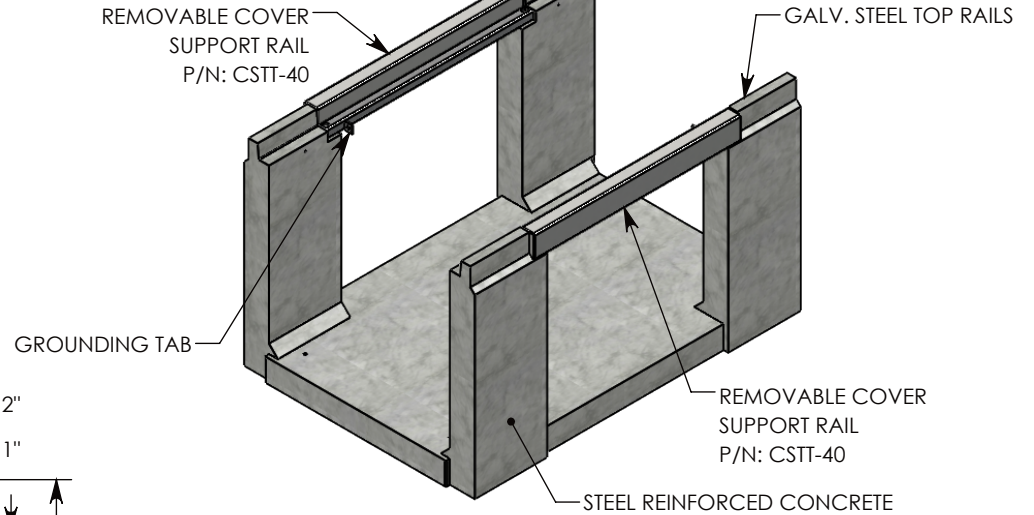


3/8-16 UNC X 2.50" LG HEX HD BOLT, GRADE 8

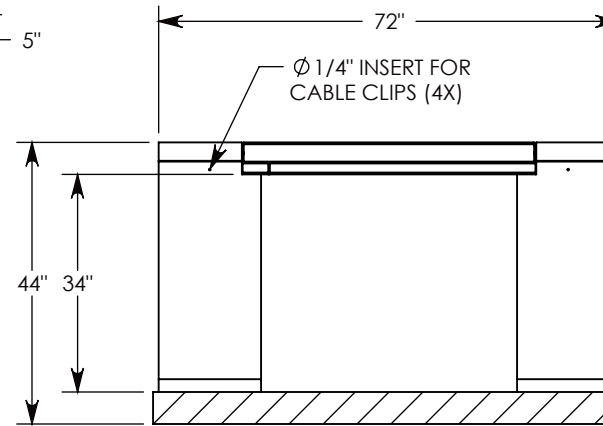
P/N: HHB.38-2.5G8 QTY: 4

3/8" STD WASHER - 1" OD

P/N: WSR.38-1 QTY: 4



**DETAIL B**  
SCALE 1 : 15



**SECTION A-A**

AASHTO H-20 RATED - 32,000 LB. SINGLE AXLE LOAD

**DRAWN BY: ROSS LAGER**

**CREATED DATE: 1/17/2019** **REVISION LEVEL: B**

**SAVED DATE: 10/7/2020** **SAVED BY: scallahan**

**WEIGHT: 2635 LBS.** **MATERIAL: NOTED**

**CONCAST**  
1010 NORTH STAR DRIVE  
P.O. BOX 69  
ZUMBROTA, MN 55992-0069

**DESCRIPTION:**  
**HEAVY TRAFFIC UNIVERSAL**

DIMENSIONS ARE IN INCHES  
TOLERANCES:  
FRACTIONAL: ± 1/8"  
ANGULAR: ± 2°

CONTACT INFORMATION:  
EMAIL: INFO@CONCASTINC.COM  
PHONE: (507) 732-4095  
FAX: (507) 732-4094

SHEET 1 OF 1

**PART NUMBER:**  
**804236HT3 (40X40)**