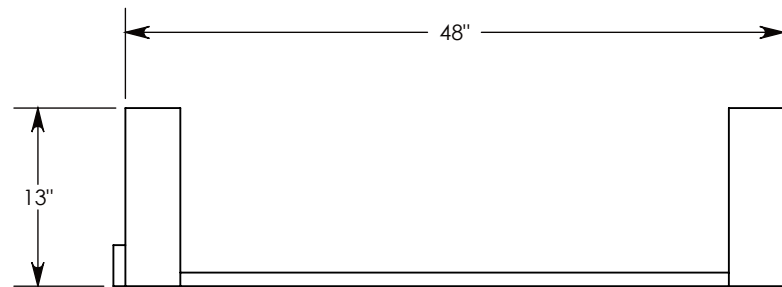
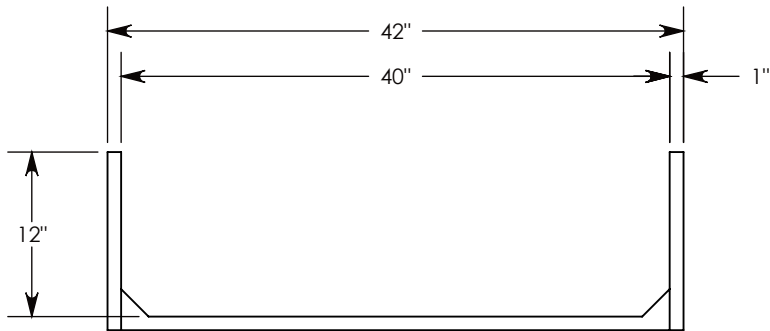
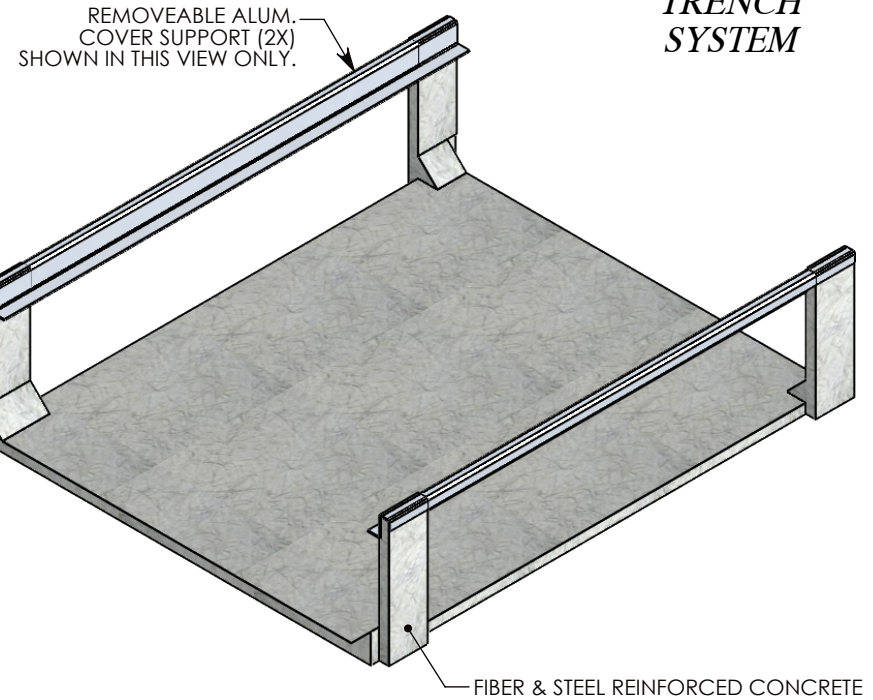
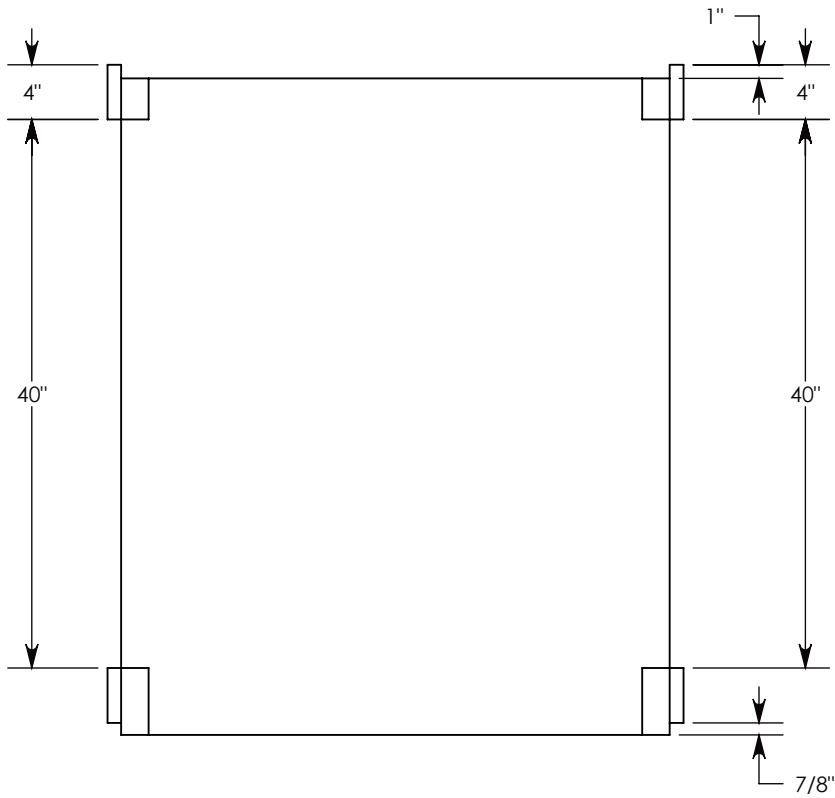


FIBERCRETE[®]
TRENCH
SYSTEM



PEDESTRIAN RATED - 200 LB. PER SQ. FOOT

| | |
|--------------------------------|-----------------------------|
| DRAWN BY: ROBIN FLINT | |
| CREATED DATE: 3/11/2002 | REVISION LEVEL: A |
| SAVED DATE: 6/4/2020 | SAVED BY: scallahan |
| WEIGHT: 163 LBS. | MATERIAL: FIBERCRETE |



CONCAST
 1010 NORTH STAR DRIVE
 P.O. BOX 69
 ZUMBROTA, MN 55992-0069

| | | |
|-------------------------------------|--|-------------------------------------|
| DESCRIPTION: | | SHEET 1 OF 1 |
| PEDESTRIAN UNIVERSAL CHANNEL | | |
| DIMENSIONS ARE IN INCHES | CONTACT INFORMATION: | PART NUMBER: 8042 (40X40) |
| TOLERANCES: | EMAIL: INFO@CONCASTINC.COM | |
| FRACTIONAL: ± 1/8" ANGULAR: ± 2° | PHONE: (507) 732-4095 FAX: (507) 732-4094 | |