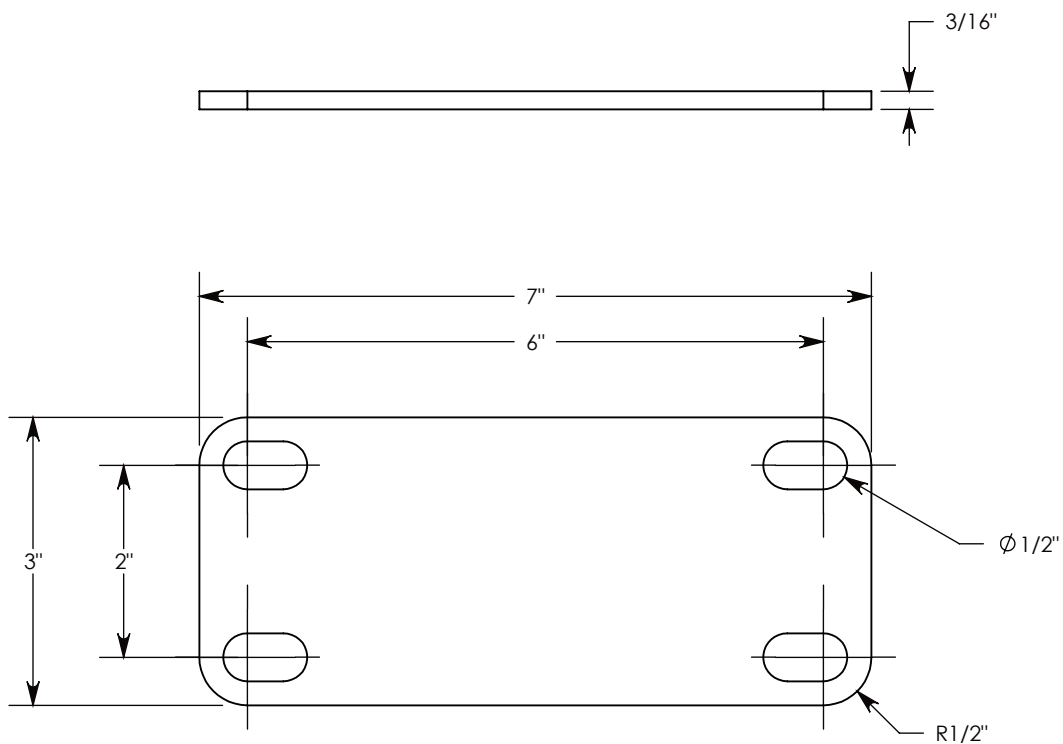
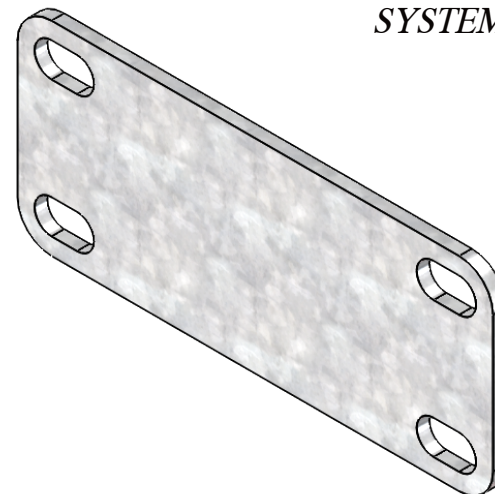


FIBERCRETE[®]
TRENCH
SYSTEM



NOTE 1: USE 3/8-16 UNC X 1" LONG BOLTS TO ATTACH TO SIDE WALLS. SOLD SEPARATELY. P/N: HHB.38-1

DRAWN BY: ROBIN FLINT

DATE: 11/10/2011

REVISION LEVEL: A

WEIGHT:

1.0 LBS.

MATERIAL:

Galvanized Steel



1010 NORTH STAR DRIVE
 P.O. BOX 69
 ZUMBROTA, MN 55992-0069

DESCRIPTION:

BOLT PLATE FOR SIDE WALLS

DIMENSIONS ARE IN INCHES
 TOLERANCES:
 FRACTIONAL: ± 1/8"
 ANGULAR: ± 2°

CONTACT INFORMATION:
 EMAIL: INFO@CONCASTINC.COM
 PHONE: (507) 732-4095
 FAX: (507) 732-4094

SHEET 1 OF 1

PART NUMBER:

80SW-BP