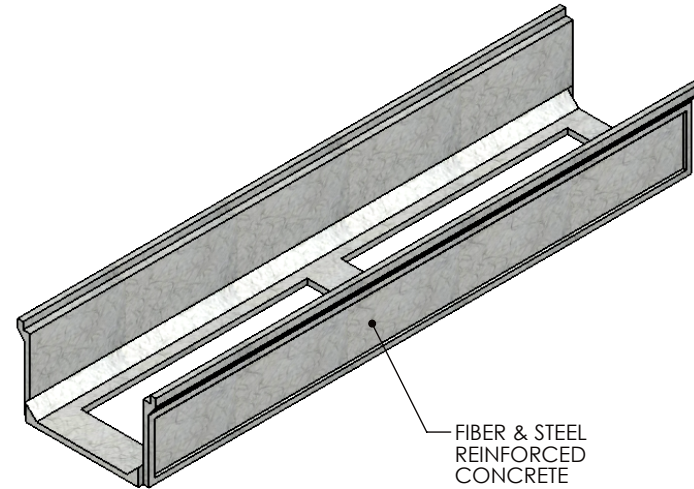
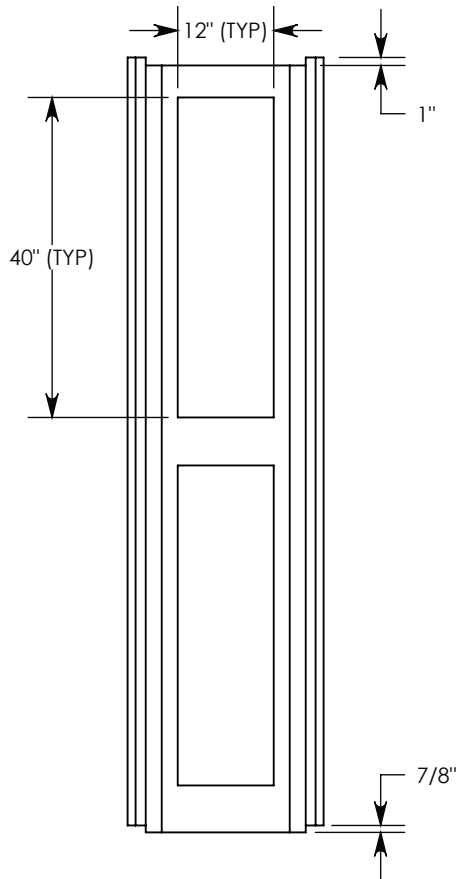
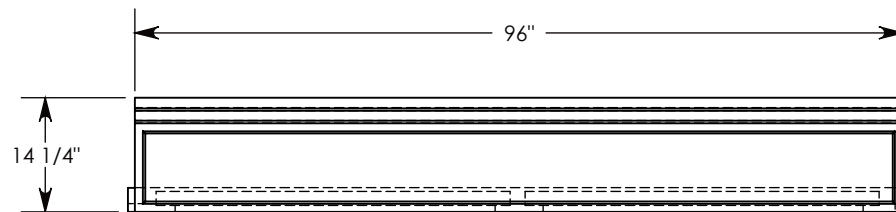
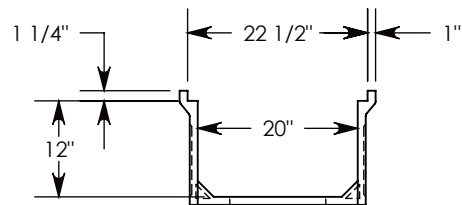


FIBERCRETE[®]
TRENCH
SYSTEM



FIBER & STEEL
 REINFORCED
 CONCRETE



NOTE: FOR NON-STANDARD LENGTHS THE CHANNEL WILL BE SOLID BOTTOM AND DESIGNATED WITH ITS CORRESPONDING LENGTH MEASUREMENT. IE: 8820F 32"

PEDESTRIAN RATED - 200 LB. PER SQ. FOOT

| | |
|------------------------------|--------------------------|
| DRAWN BY: ROBIN LEWIS | |
| DATE: 2/22/2017 | REVISION LEVEL: 0 |
| WEIGHT: 273 LBS. | MATERIAL: NOTED |



CONCAST
 1010 NORTH STAR DRIVE
 P.O. BOX 69
 ZUMBROTA, MN 55992-0069

| | | |
|--|--|--------------|
| DESCRIPTION: | | |
| FLUSH PEDESTRIAN CHANNEL | | |
| DIMENSIONS ARE IN INCHES TOLERANCES: FRACTIONAL: ± 1/8" ANGULAR: ± 2° | CONTACT INFORMATION: EMAIL: INFO@CONCASTINC.COM PHONE: (507) 732-4095 FAX: (507) 732-4094 | SHEET 1 OF 1 |
| PART NUMBER: | | |
| 8820F | | |