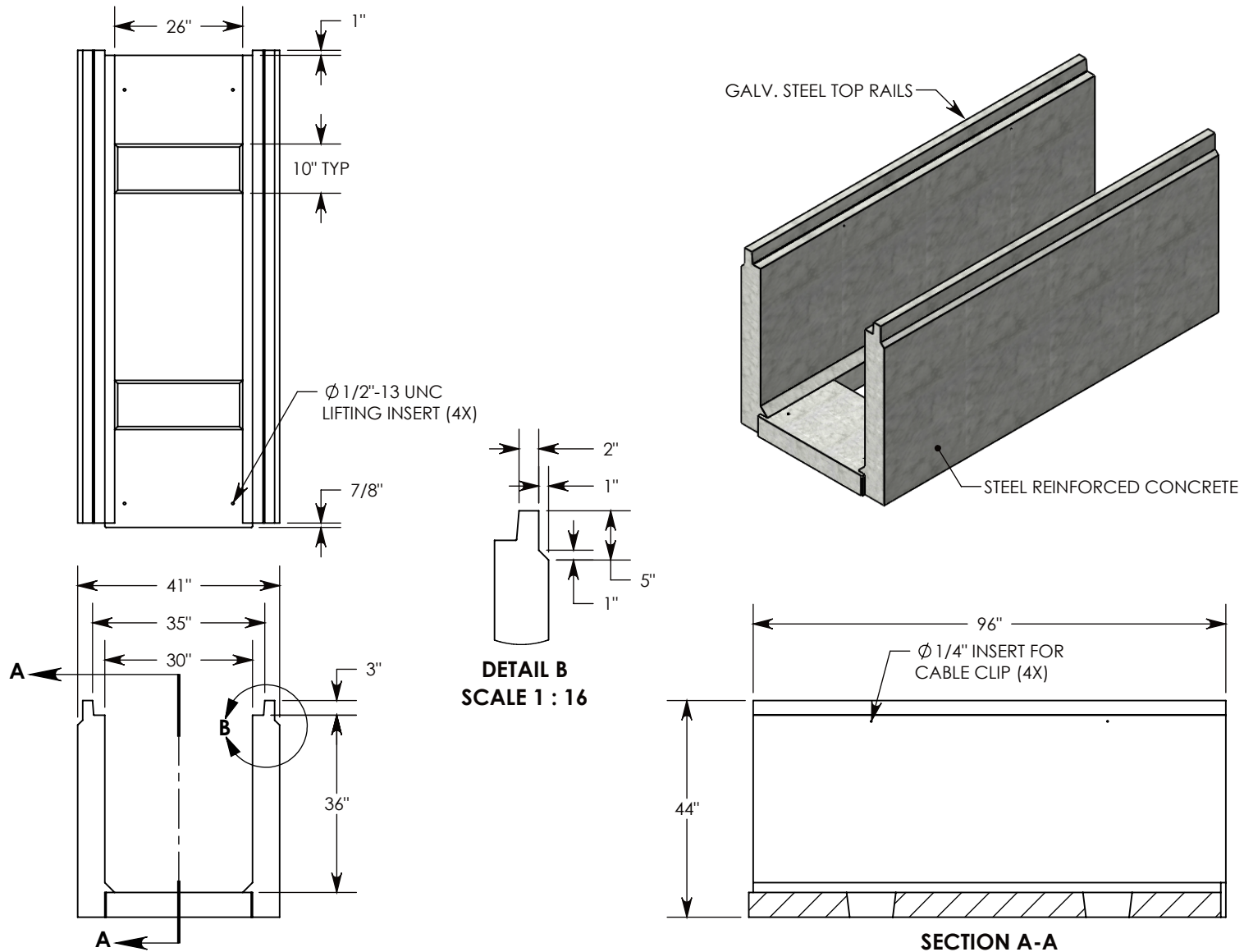


REV. A - TCJ - 11/28/2018 - MADE TOP RAIL 3" THICK TO SUPPORT HT3 COVER

REV. B - SIC - 10/6/2020 - ADDED TOP RAIL REDUCTION FEATURE TO CHANGE TOP RAIL TO 2", WAS 3"; REPLACED RIGHT VIEW WITH SECTION A-A; ADDED DETAIL B



**NOTE 1:** FOR NON-STANDARD LENGTHS, THE CHANNEL WILL BE SOLID BOTTOM AND DESIGNATED WITH ITS CORRESPONDING LENGTH MEASUREMENT. IE: 803036HT3 32"

AASHTO H-20 RATED – 32,000 LB. SINGLE AXLE LOAD

<b>DRAWN BY: JESSE GUTTING</b>		 1010 NORTH STAR DRIVE P.O. BOX 69 ZUMBROTA, MN 55992-0069	<b>DESCRIPTION:</b>		SHEET 1 OF 1
<b>CREATED DATE:</b> 4/19/2018	<b>REVISION LEVEL:</b> B		<b>HEAVY TRAFFIC CHANNEL</b>		
<b>SAVED DATE:</b> 10/6/2020	<b>SAVED BY:</b> scallahan		DIMENSIONS ARE IN INCHES TOLERANCES: FRACTIONAL: $\pm 1/8"$ ANGULAR: $\pm 2^\circ$		
<b>WEIGHT:</b> 4636 LBS.	<b>MATERIAL:</b> CONCRETE	<b>PART NUMBER:</b> 883036HT3		CONTACT INFORMATION: EMAIL: INFO@CONCASTINC.COM PHONE: (507) 732-4095 FAX: (507) 732-4094	