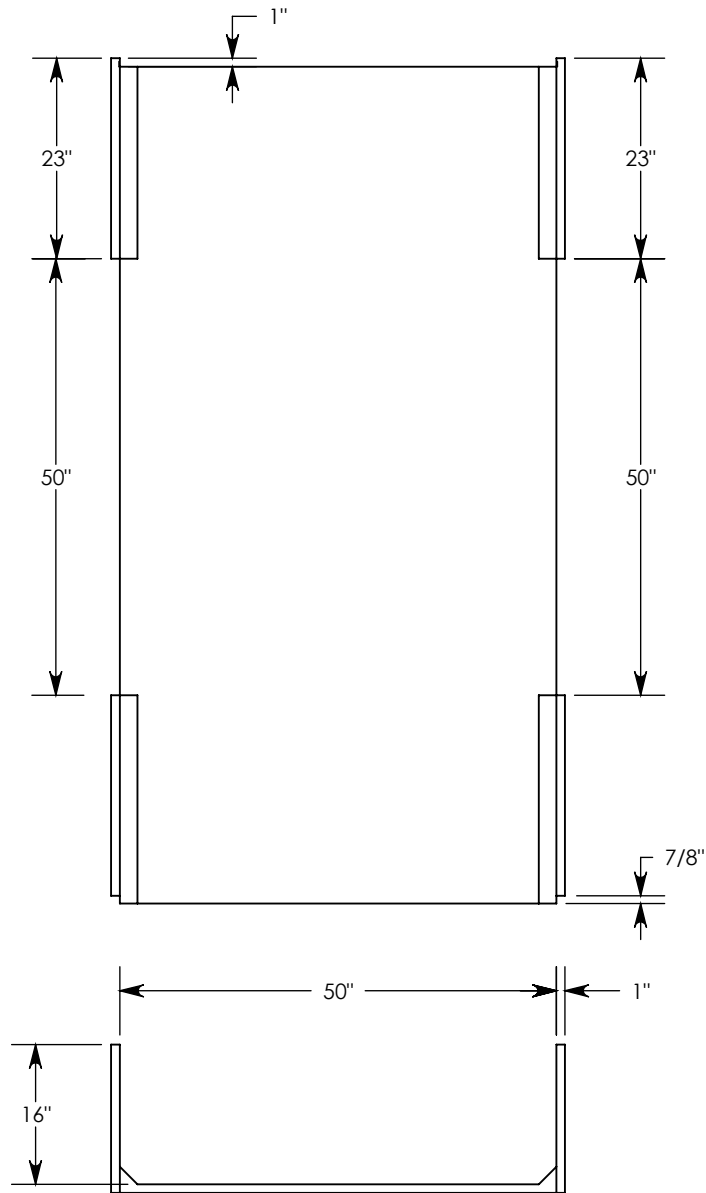
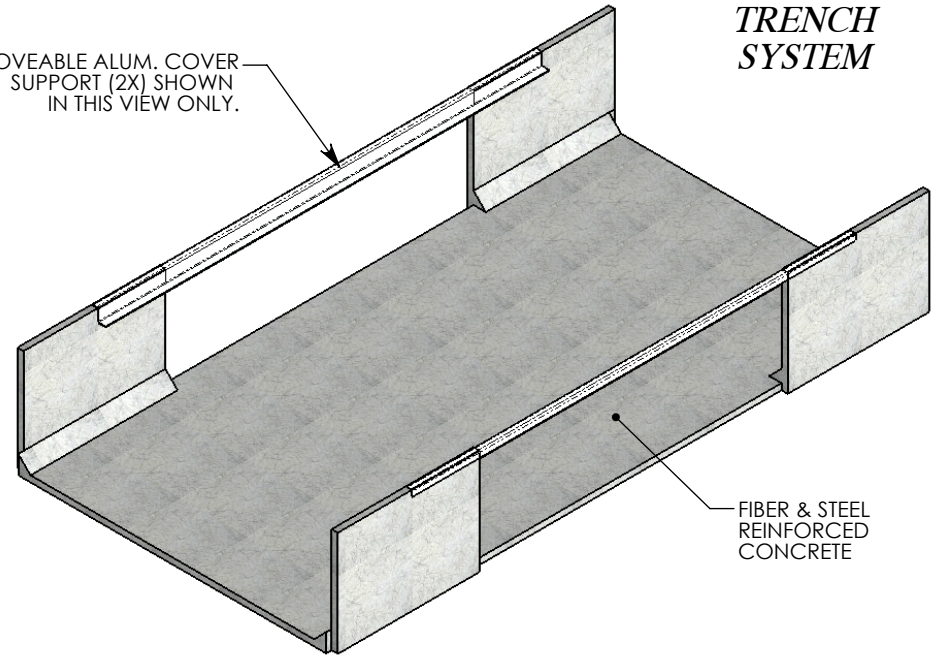


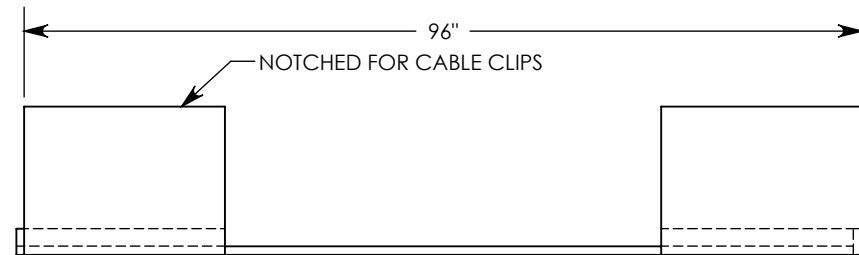
FIBERCRETE[®]
TRENCH
SYSTEM



REMOVEABLE ALUM. COVER
 SUPPORT (2X) SHOWN
 IN THIS VIEW ONLY.



FIBER & STEEL
 REINFORCED
 CONCRETE



PEDESTRIAN RATED - 200 LB. PER SQ. FOOT

DRAWN BY: ROBIN LEWIS

DATE: 6/15/2011

REVISION LEVEL: 0

WEIGHT:

475 LBS.

MATERIAL:

FIBERCRETE



1010 NORTH STAR DRIVE
 P.O. BOX 69
 ZUMBROTA, MN 55992-0069

DESCRIPTION:

PEDESTRIAN UNIVERSAL CHANNEL

DIMENSIONS ARE IN INCHES
 TOLERANCES:
 FRACTIONAL: $\pm 1/8"$
 ANGULAR: $\pm 2^\circ$

CONTACT INFORMATION:
 EMAIL: INFO@CONCASTINC.COM
 PHONE: (507) 732-4095
 FAX: (507) 732-4094

SHEET 1 OF 1

PART NUMBER:

885216 (50X50)