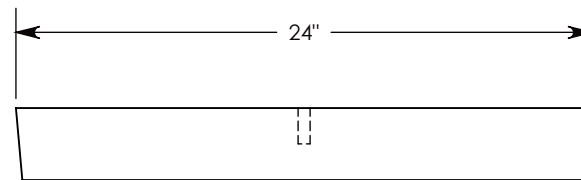
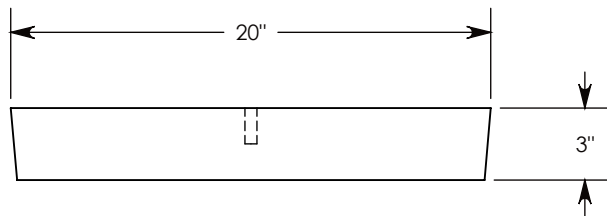
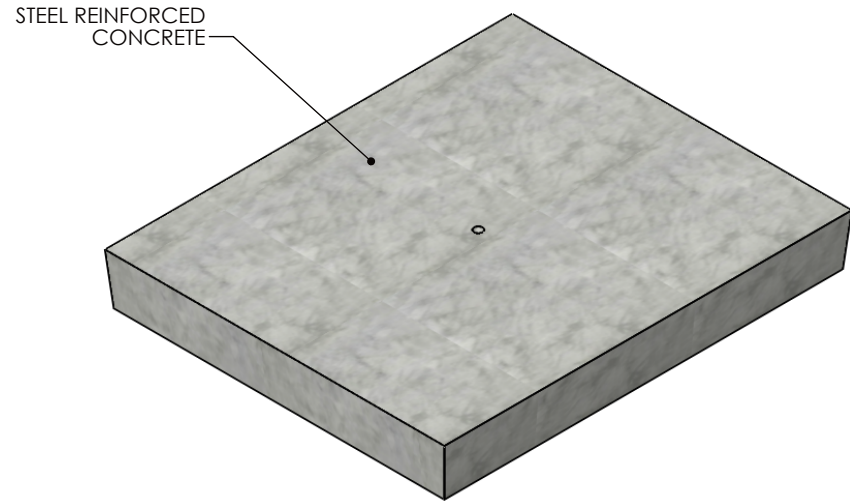
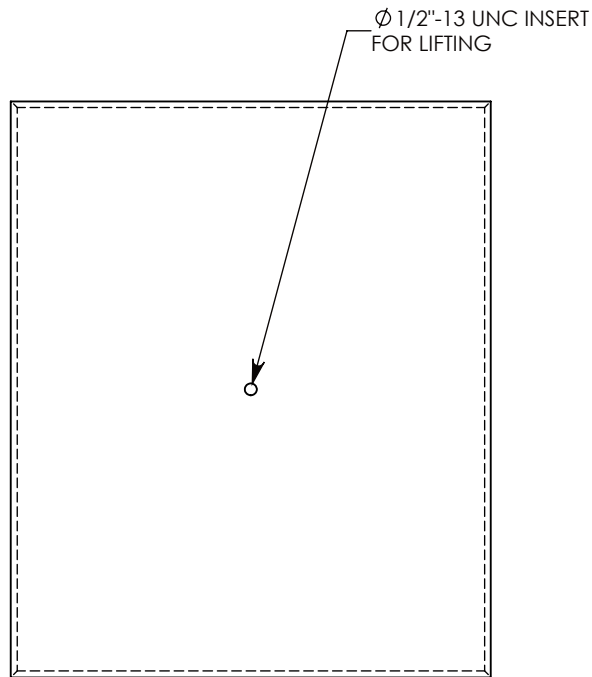


**FIBERCRETE<sup>®</sup>**  
**TRENCH**  
**SYSTEM**



H10 RATED - 16,000 LB. PER AXLE LOAD.

**DRAWN BY: ROBIN FLINT**

**DATE: 12/4/2013**

**REVISION LEVEL: 0**

**WEIGHT:**

**115 LBS.**

**MATERIAL:**

**CONCRETE**



**1010 NORTH STAR DRIVE**  
**P.O. BOX 69**  
**ZUMBROTA, MN 55992-0069**

**DESCRIPTION:**

**CONCRETE COVER**

DIMENSIONS ARE IN INCHES  
TOLERANCES:  
FRACTIONAL: ± 1/8"  
ANGULAR: ± 2°

CONTACT INFORMATION:  
EMAIL: INFO@CONCASTINC.COM  
PHONE: (507) 732-4095  
FAX: (507) 732-4094

SHEET 1 OF 1

**PART NUMBER:**

**C2024-3**