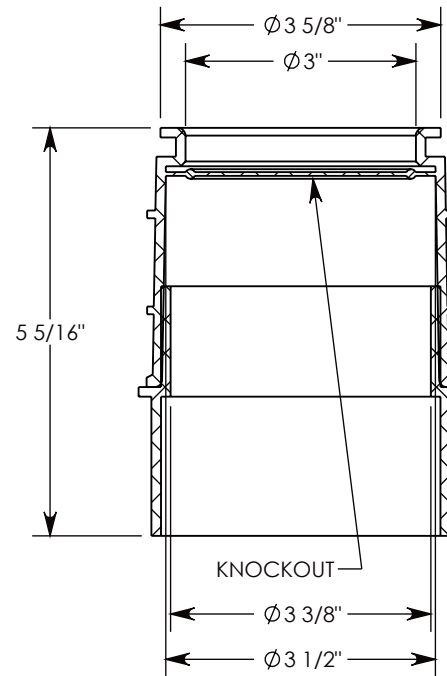
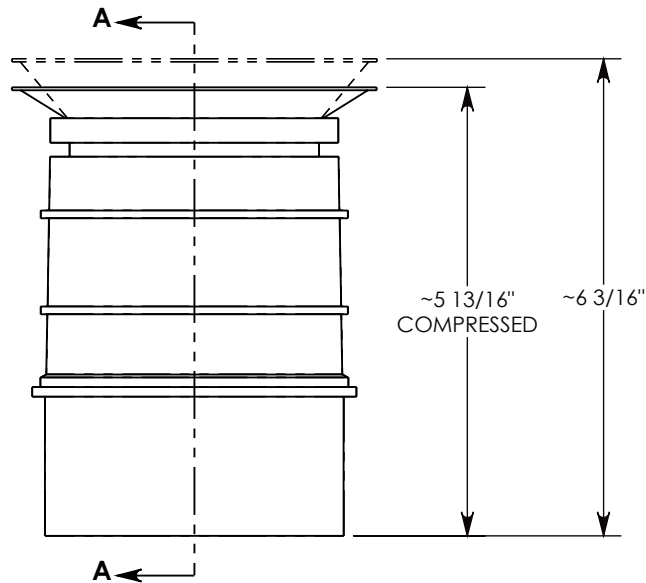
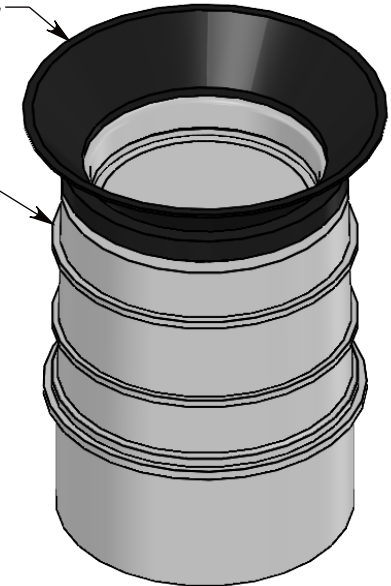


FLEXIBLE SEAL RING

TERMINATOR COLOR MAY VARY
GRAY SHOWN FOR VISIBILITY



SECTION A-A
SEAL RING HIDDEN

VENDOR: LEVIAT/MEADOWBURKE
VENDOR NO: T3534

NOTE 1: FOR USE WITH 3" ID SCHEDULE 40 PVC CONDUIT.

NOTE 2: ACTUAL PRODUCT APPEARANCE MAY VARY. DIMENSIONS SHOWN ARE APPROXIMATE

DRAWN BY: SAMUEL CALLAHAN

CREATED DATE: 11/20/2023 REVISION LEVEL: 0

SAVED DATE: 11/20/2023 SAVED BY: scallahan

WEIGHT: 0.5 LBS. MATERIAL: PLASTIC

CONCAST
1010 NORTH STAR DRIVE
P.O. BOX 69
ZUMBROTA, MN 55992-0069

DESCRIPTION:
3" DUCT TERMINATOR

DIMENSIONS ARE IN INCHES
TOLERANCES:
FRACTIONAL: ± 1/8"
ANGULAR: ± 2°

CONTACT INFORMATION:
EMAIL: INFO@CONCASTINC.COM
PHONE: (507) 732-4095
FAX: (507) 732-4094

SHEET 1 OF 1

PART NUMBER:
CD-36