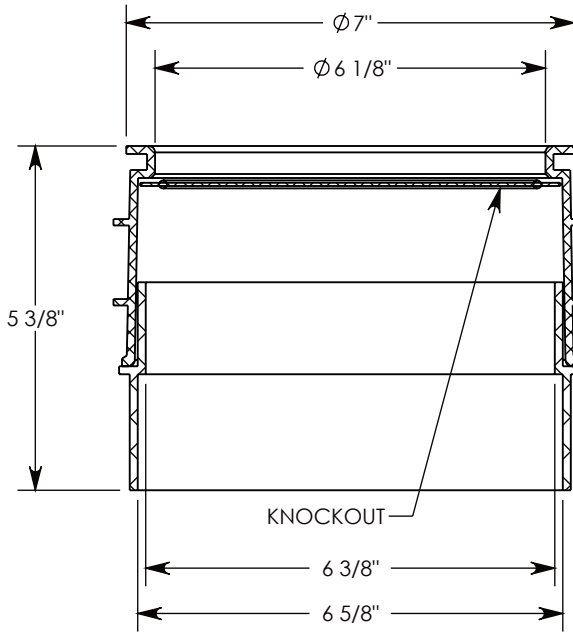
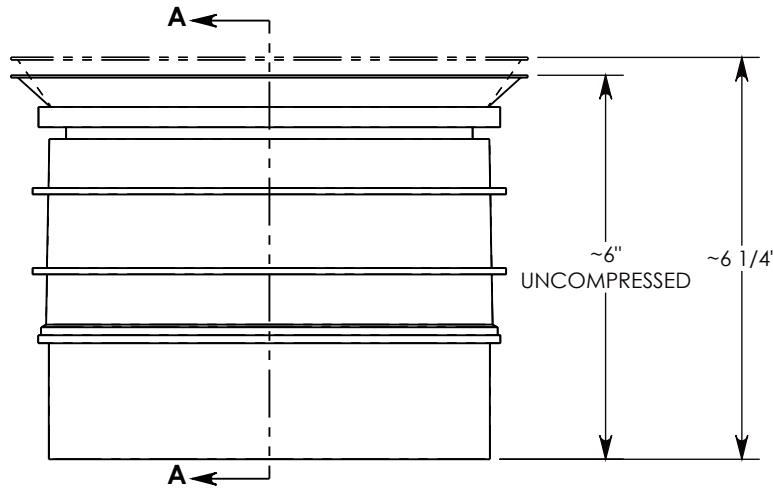
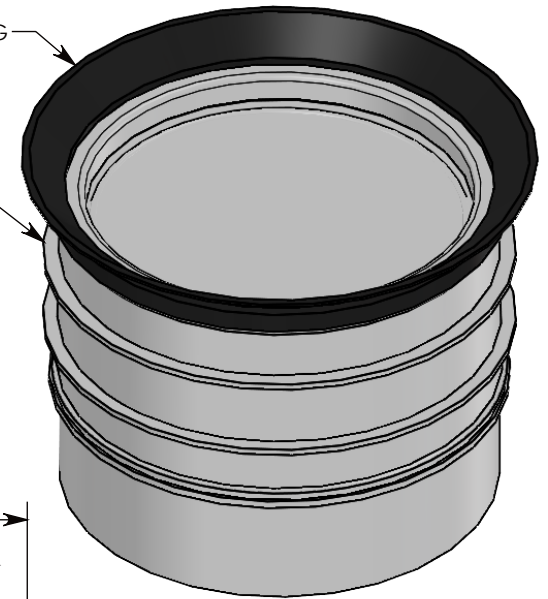


FLEXIBLE SEAL RING

TERMINATOR COLOR MAY VARY
GRAY SHOWN FOR VISIBILITY



VENDOR: LEVIAT/MEADOWBURKE
VENDOR NO: T6534

NOTE 1: FOR USE WITH 6" ID SCHEDULE 40 PVC CONDUIT.
NOTE 2: ACTUAL PRODUCT APPEARANCE MAY VARY. DIMENSIONS SHOWN ARE APPROXIMATE

**SECTION A-A
SEAL RING HIDDEN**

DRAWN BY: ROBIN LEWIS	
CREATED DATE: 7/13/2010	REVISION LEVEL: A
SAVED DATE: 11/20/2023	SAVED BY: scallahan
WEIGHT: 0.9 LBS.	MATERIAL: PLASTIC

1010 NORTH STAR DRIVE
P.O. BOX 69
ZUMBROTA, MN 55992-0069

DESCRIPTION: 6" DUCT TERMINATOR		SHEET 1 OF 1
DIMENSIONS ARE IN INCHES TOLERANCES: FRACTIONAL: ± 1/8" ANGULAR: ± 2°	CONTACT INFORMATION: EMAIL: INFO@CONCASTINC.COM PHONE: (507) 732-4095 FAX: (507) 732-4094	
PART NUMBER: CD-66		