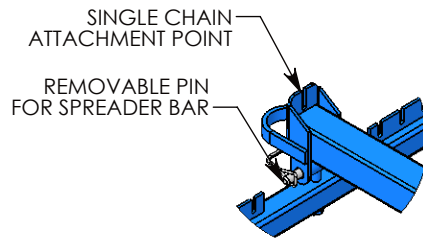


**SHOWN COLLAPSED**

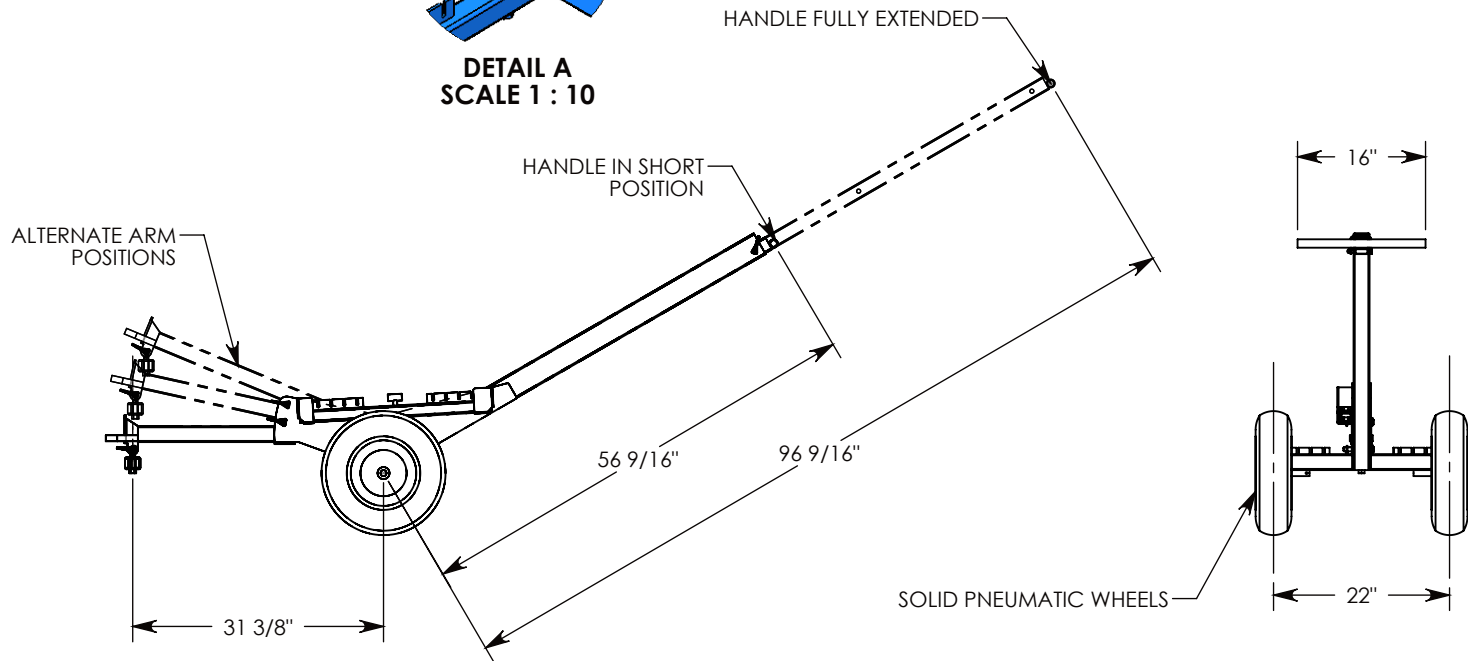
**SHOWN FULLY EXTENDED**



**DETAIL A  
SCALE 1 : 10**



**DOLLY CHAIN (2X)  
SUPPLIED WITH UNIT  
P/N: CRDC1**



- NOTE 1:** DOLLY WILL LIFT COVERS UP TO 600 LBS - RATIO 3:1
- NOTE 2:** MAINTENANCE-FREE, SOLID PNEUMATIC WHEELS WORK WELL ON UNEVEN TERRAIN
- NOTE 3:** COLLAPSABLE FOR EASY STORAGE AND TRANSPORT

|                                  |                                  |   |  |  |              |
|----------------------------------|----------------------------------|---|--|--|--------------|
| <b>DRAWN BY: JESSE GUTTING</b>   |                                  | <br>1010 NORTH STAR DRIVE<br>P.O. BOX 69<br>ZUMBROTA, MN 55992-0069 | <b>DESCRIPTION:</b><br><b>COVER REMOVAL DOLLY</b>                              |  |              |
| <b>DATE:</b> 1/11/2019           | <b>REVISION LEVEL:</b> 0         |   | DIMENSIONS ARE IN INCHES<br>TOLERANCES:<br>FRACTIONAL: ± 1/8"<br>ANGULAR: ± 2° | CONTACT INFORMATION:<br>EMAIL: INFO@CONCASTINC.COM<br>PHONE: (507) 732-4095<br>FAX: (507) 732-4094 | SHEET 1 OF 1 |
| <b>WEIGHT:</b><br><b>85 LBS.</b> | <b>MATERIAL:</b><br><b>STEEL</b> |   | <b>PART NUMBER:</b><br><b>CRD1</b>   |  |              |