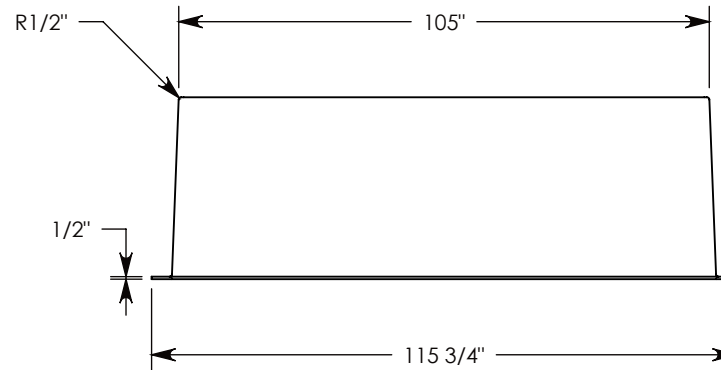
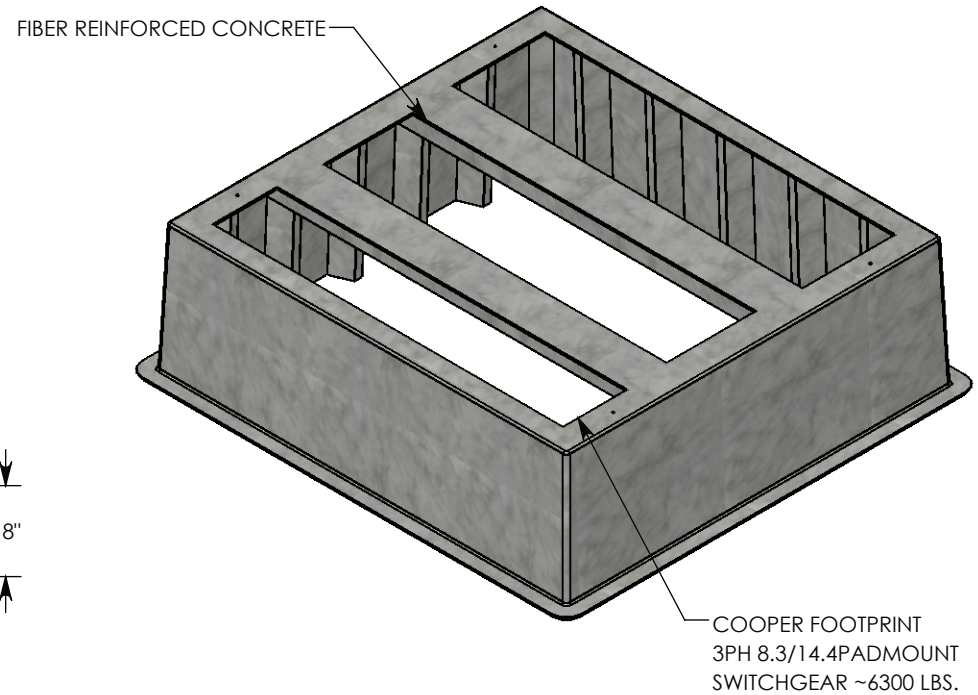
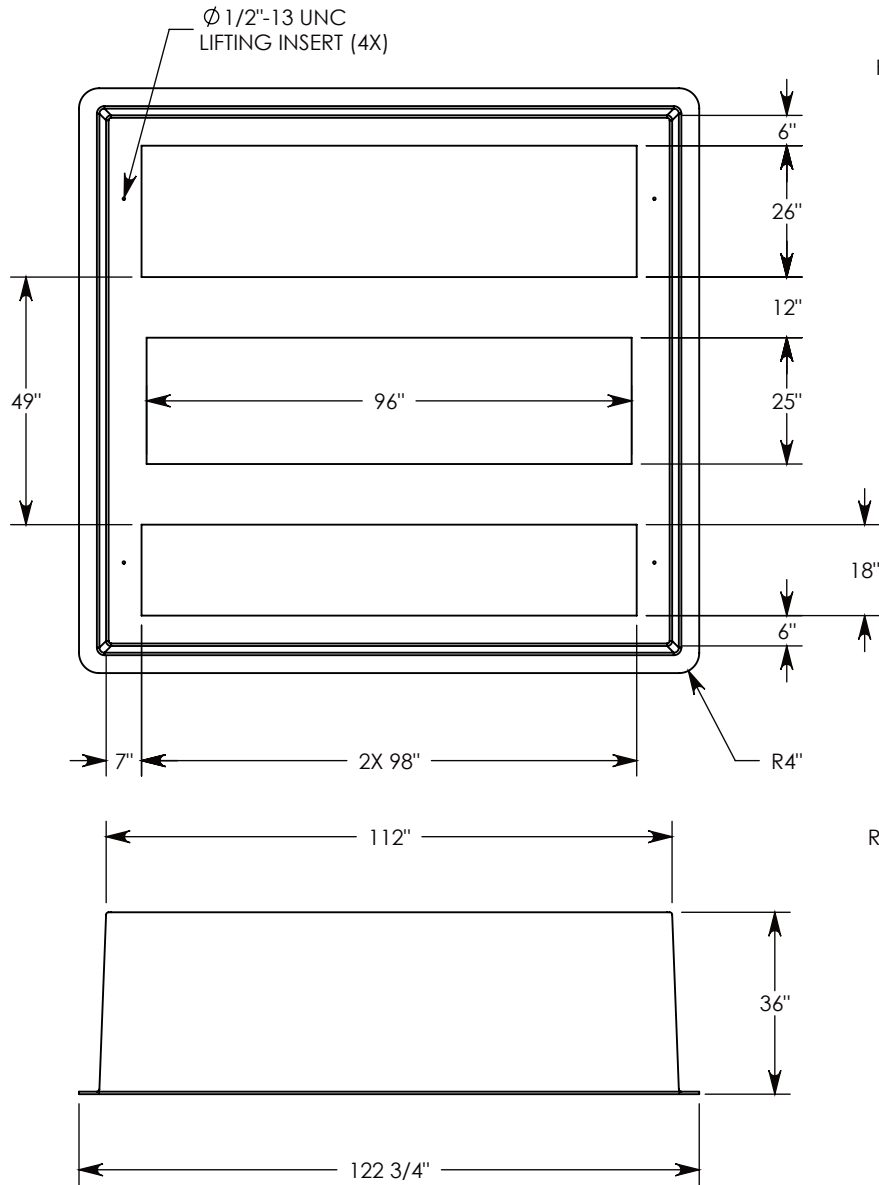


FIBERCRETE®



NOTE 1: IF SPECIFIC INSERTS OR MOUNTING HARDWARE ARE REQUIRED, PLEASE SPECIFY WHEN ORDERING.

DRAWN BY: JESSE GUTTING	
CREATED DATE: 9/13/2019	REVISION LEVEL: 0
SAVED DATE: 9/13/2019	SAVED BY: JGUTTING
WEIGHT: 1491 LBS.	MATERIAL: FIBERCRETE FC

CONCAST
 1010 NORTH STAR DRIVE
 P.O. BOX 69
 ZUMBROTA, MN 55992-0069

DESCRIPTION: FIBERCRETE BOX PAD		SHEET 1 OF 1
DIMENSIONS ARE IN INCHES TOLERANCES: FRACTIONAL: $\pm 1/8\text{'}$ ANGULAR: $\pm 2^\circ$	CONTACT INFORMATION: EMAIL: INFO@CONCASTINC.COM PHONE: (507) 732-4095 FAX: (507) 732-4094	
PART NUMBER: FC-105-112-36(49)-1898-2698		