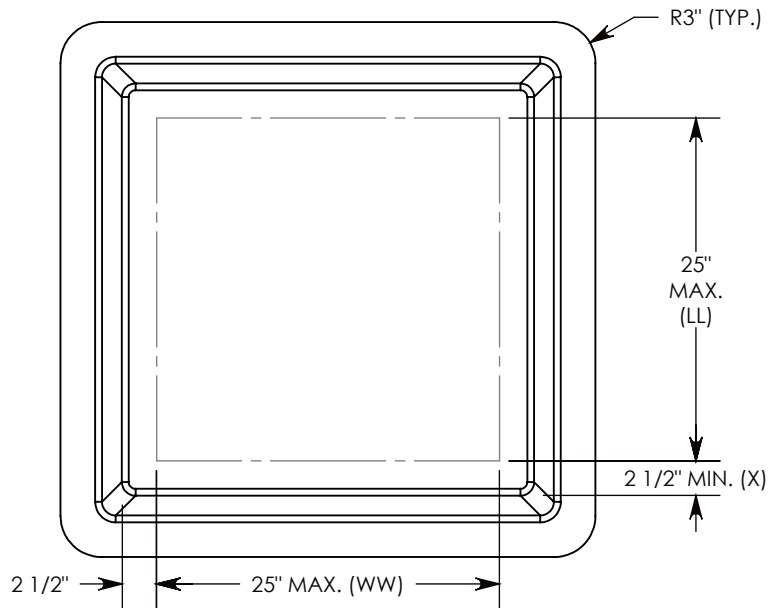
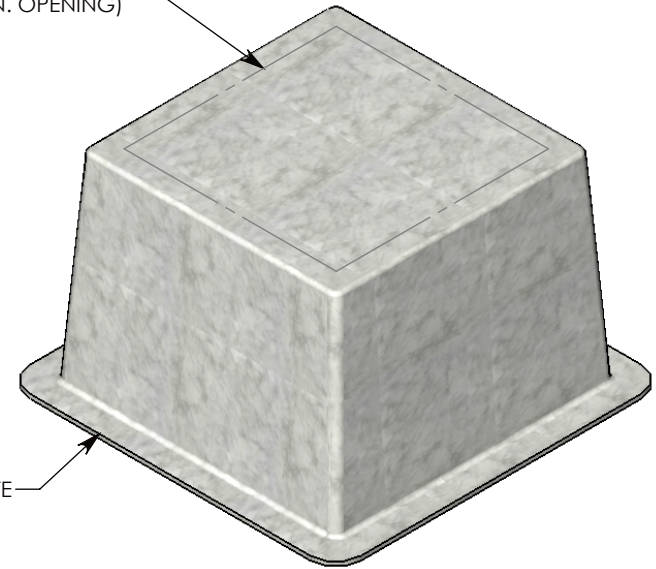


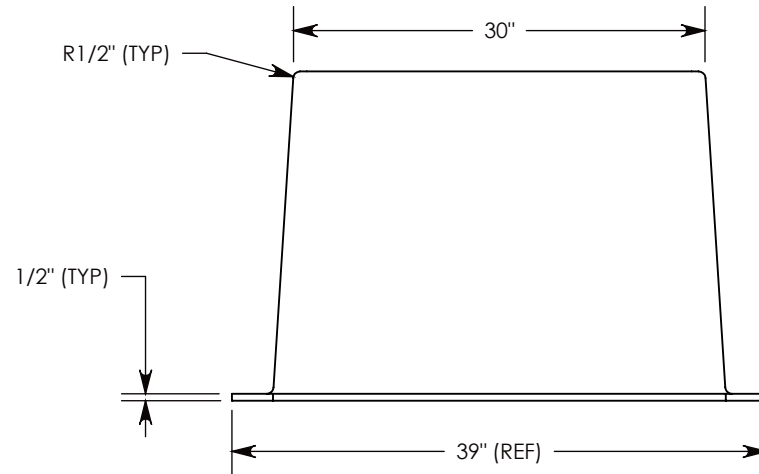
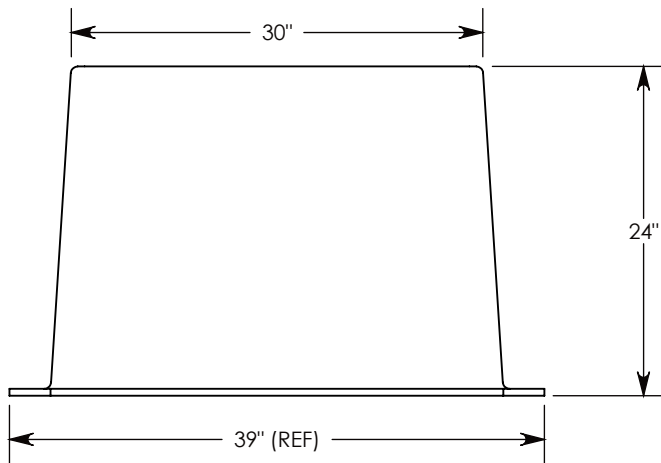
FIBERCRETE®



MAX. OPENING
(NO MIN. OPENING)



FIBER REINFORCED CONCRETE



Ø 1/2"-13 UNC LIFTING INSERTS WILL BE CAST INTO BOX PAD
IF SPECIFIC INSERTS OR MOUNTING HARDWARE ARE REQUIRED, PLEASE SPECIFY WHEN ORDERING.
PART NUMBER IS BASED ON OPENING SIZE. IE: AN OFFSET OPENING PAD IS P/N: FC-30-30-24-1016(6)
THE LARGEST OPENING PAD IS P/N: FC-30-30-24-2525

DRAWN BY: ROBIN FLINT	
DATE: 7/2/2013	REVISION LEVEL: 0
WEIGHT: - LBS.	MATERIAL: FIBERCRETE FC



1010 NORTH STAR DRIVE
P.O. BOX 69
ZUMBROTA, MN 55992-0069

DESCRIPTION: FIBERCRETE BOX PAD		
DIMENSIONS ARE IN INCHES TOLERANCES: FRACTIONAL: ± 1/8" ANGULAR: ± 2°	CONTACT INFORMATION: EMAIL: INFO@CONCASTINC.COM PHONE: (507) 732-4095 FAX: (507) 732-4094	SHEET 1 OF 1
PART NUMBER: FC-30-30-24-LLWW (X)		