

FIBERCRETE®

1/2-13 UNC X 1" LG HEX HD BOLT (2X)

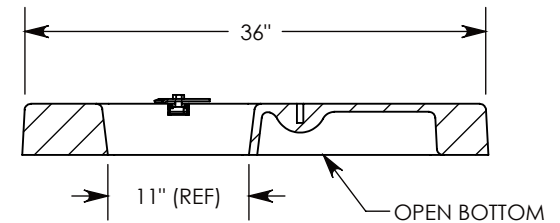
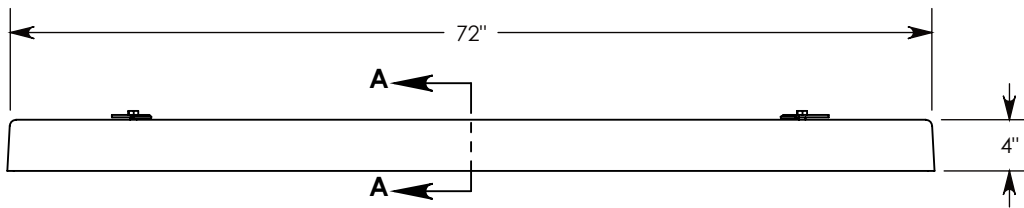
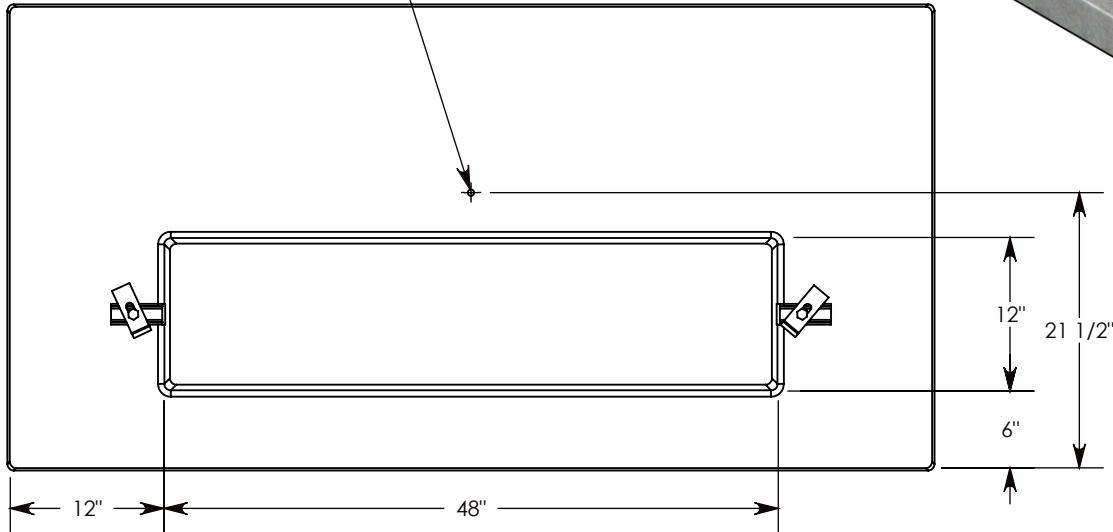
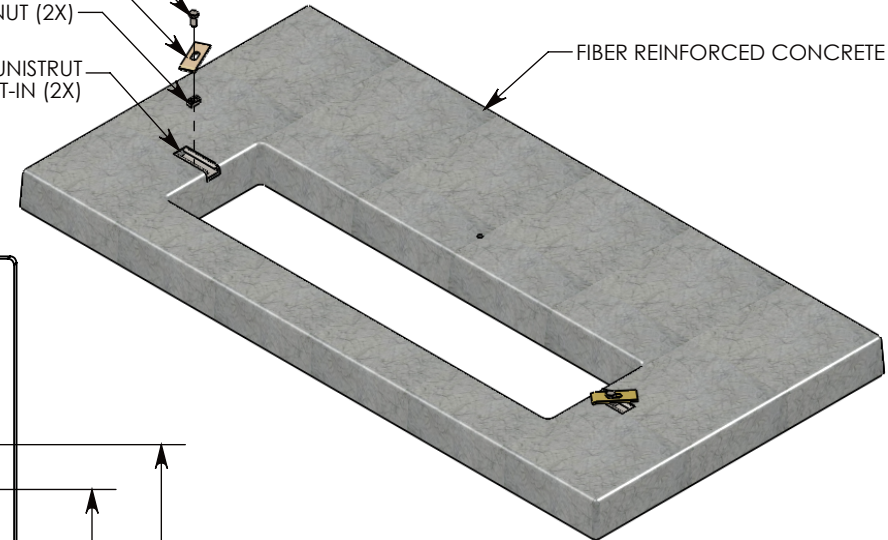
HOLD-DOWN CLAMP (2X)

SPRING NUT (2X)

4" LONG UNISTRUT
CAST-IN (2X)

FIBER REINFORCED CONCRETE

Ø 1/2"-13 UNC INSERT
FOR LIFTING
LOCATION MAY VARY



SECTION A-A

ALL VERTICAL SURFACES HAVE A 5 TO 7 DEGREE DRAFT
MOUNTING INSERTS CAN BE FIELD INSTALLED.
CONCAST TOGGLE NUTS ARE IDEAL; SPECIFY QUANTITY AND SIZE (1/4", 3/8", OR 1/2") WHEN ORDERING.

DRAWN BY: ROBIN FLINT

DATE: 7/7/2014

REVISION LEVEL: 0

WEIGHT:

201 LBS.

MATERIAL:

FIBERCRETE FC



1010 NORTH STAR DRIVE
P.O. BOX 69
ZUMBROTA, MN 55992-0069

DESCRIPTION:

FIBERCRETE FLAT PAD

DIMENSIONS ARE IN INCHES
TOLERANCES:
FRACTIONAL: ± 1/8"
ANGULAR: ± 2°

CONTACT INFORMATION:
EMAIL: INFO@CONCASTINC.COM
PHONE: (507) 732-4095
FAX: (507) 732-4094

SHEET 1 OF 1

PART NUMBER:

FC-36-72-4-1248 (6)