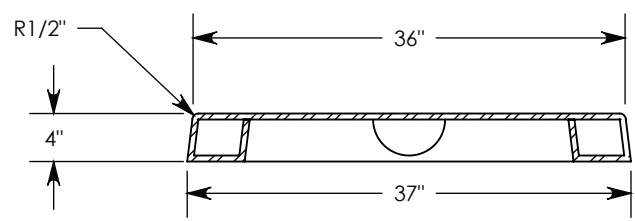
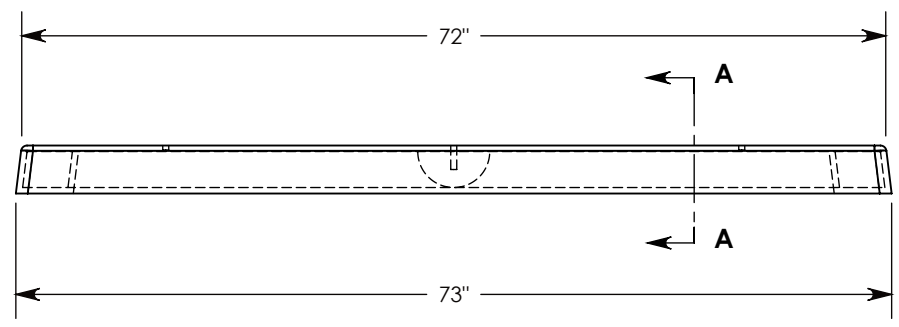
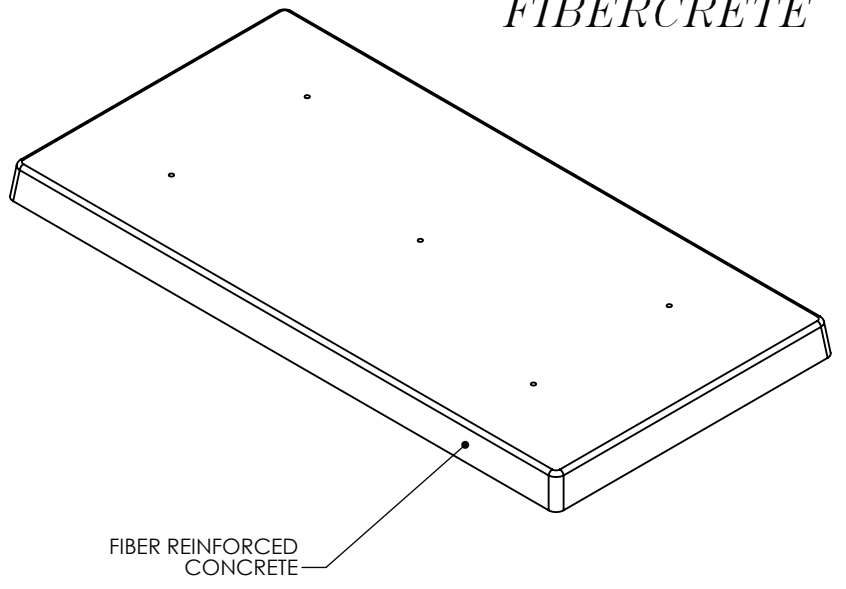
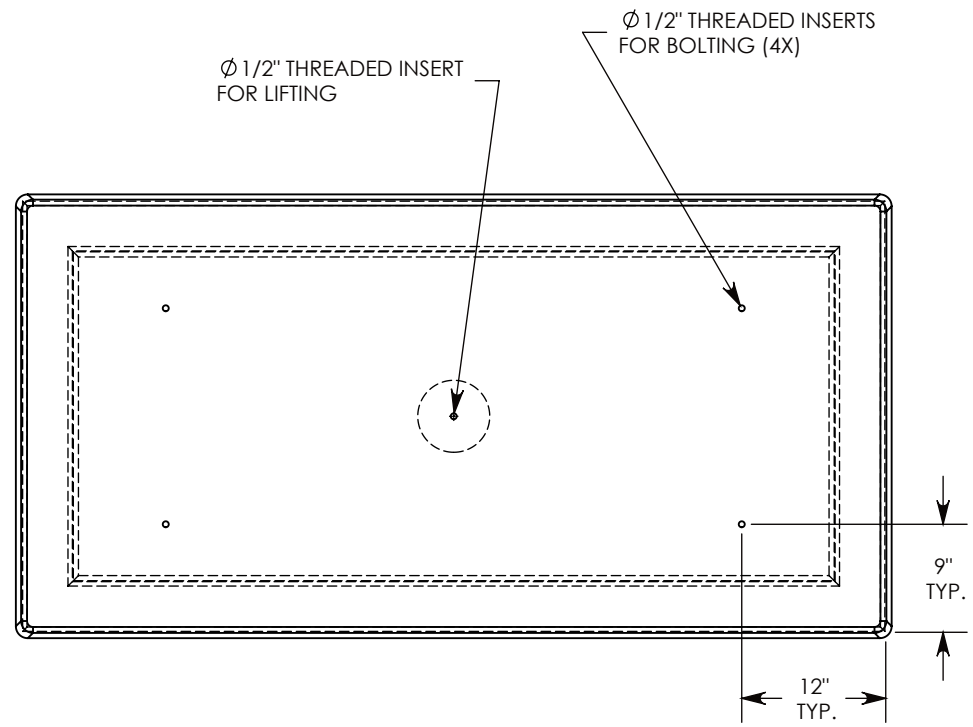


FIBERCRETE[®]



DRAWN BY: MIKE LASKA	
DATE: 5/20/09	REVISION LEVEL: A
WEIGHT: 181 LBS.	

GONCAST INC.
 1010 NORTH STAR DRIVE
 P.O. BOX 69
 ZUMBROTA, MN 55992-0069

DESCRIPTION: FIBERCRETE FLAT PAD	
DIMENSIONS ARE IN INCHES TOLERANCES: FRACTIONAL: ± 1/8" ANGULAR: ± 2°	CONTACT INFORMATION: EMAIL: INFO@CONCASTINC.COM PHONE: (507) 732-4095 FAX: (507) 732-4094
PART NUMBER: FC-36-72-4-CW	SHEET 1 OF 1