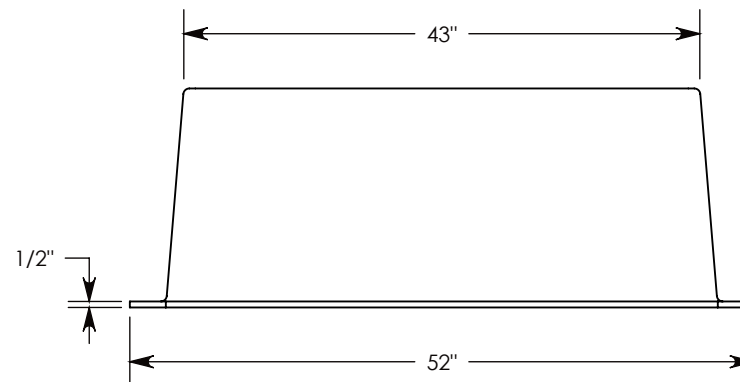
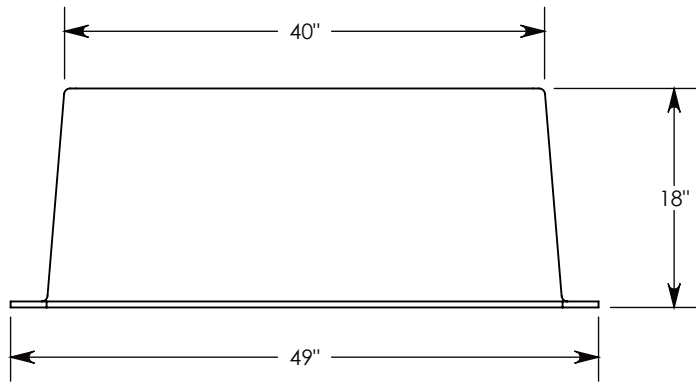
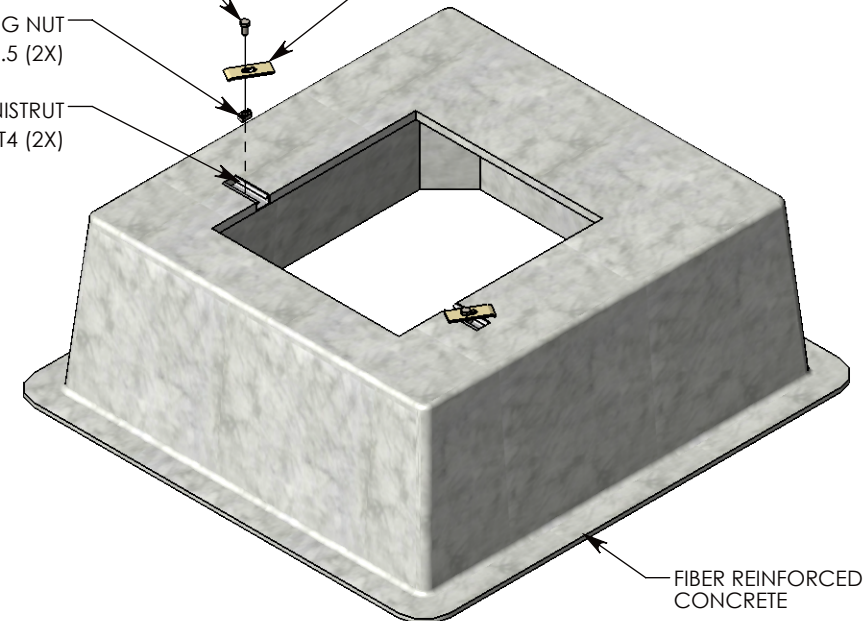


- 1/2-13 UNC X 1" LG HEX HD BOLT  
P/N: HHB.5-1 (2X)
- 1/2-13 UNC SPRING NUT  
P/N: USN-.5 (2X)
- 4" LONG X 7/8" DEEP UNISTRUT  
P/N: UNST4 (2X)
- 4" HOLD-DOWN CLAMP  
P/N: HDC-1 (2X)



**DRAWN BY: JESSE GUTTING**

**DATE: 4/12/2019**

**REVISION LEVEL: 0**

**WEIGHT:**

**263 LBS.**

**MATERIAL:**

**FIBERCRETE FC**

**CONCAST**  
 1010 NORTH STAR DRIVE  
 P.O. BOX 69  
 ZUMBROTA, MN 55992-0069

**DESCRIPTION:**  
**FIBERCRETE BOX PAD**

DIMENSIONS ARE IN INCHES  
 TOLERANCES:  
 FRACTIONAL: ± 1/8"  
 ANGULAR: ± 2°

CONTACT INFORMATION:  
 EMAIL: INFO@CONCASTINC.COM  
 PHONE: (507) 732-4095  
 FAX: (507) 732-4094

SHEET 1 OF 1

**PART NUMBER:**  
**FC-40-43-18-2224(6)**