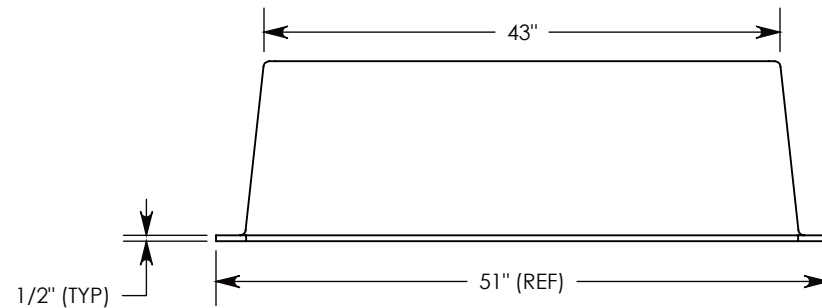
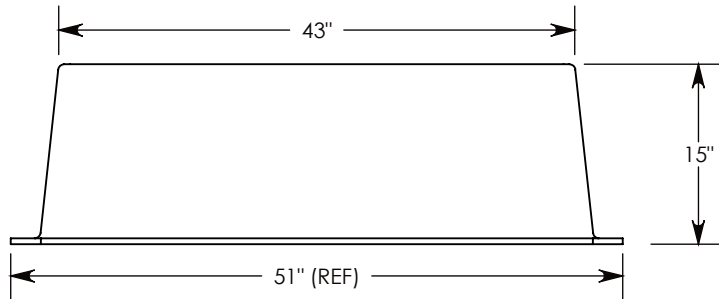
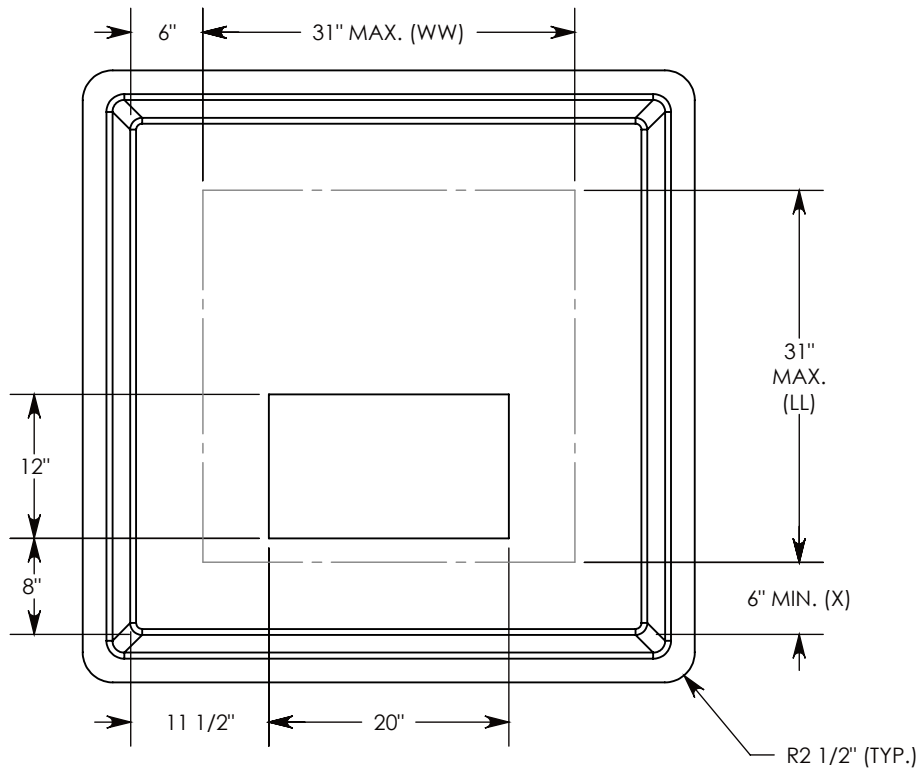
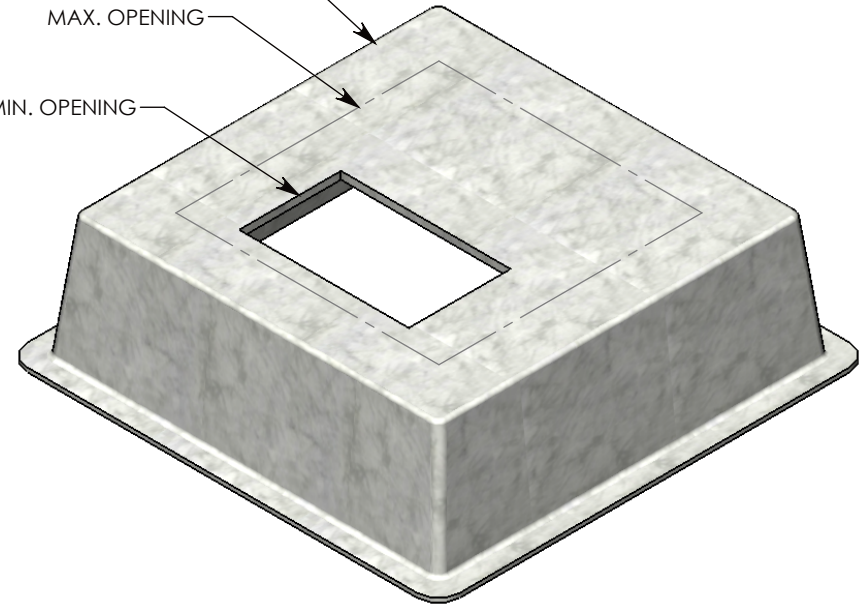


FIBERCRETE[®]

FIBER REINFORCED CONCRETE

MAX. OPENING

MIN. OPENING



Ø 1/2"-13 UNC LIFTING INSERTS WILL BE CAST INTO BOX PAD
 IF SPECIFIC INSERTS OR MOUNTING HARDWARE ARE REQUIRED, PLEASE SPECIFY WHEN ORDERING.
 PART NUMBER IS BASED ON OPENING SIZE. IE: THE SMALLEST OPENING PAD IS P/N: FC-43-43-15-2012 (8)
 THE LARGEST OPENING PAD IS P/N: FC-43-43-15-3131

DRAWN BY: ROBIN FLINT

DATE: 7/3/2013

REVISION LEVEL: 0

WEIGHT:

- LBS.

MATERIAL:

FIBERCRETE FC



DESCRIPTION:

FIBERCRETE BOX PAD

DIMENSIONS ARE IN INCHES

TOLERANCES:
 FRACTIONAL: ± 1/8"
 ANGULAR: ± 2°

CONTACT INFORMATION:
 EMAIL: INFO@CONCASTINC.COM
 PHONE: (507) 732-4095
 FAX: (507) 732-4094

SHEET 1 OF 1

PART NUMBER:

FC-43-43-15-WWLL(X)