

FIBERCRETE®

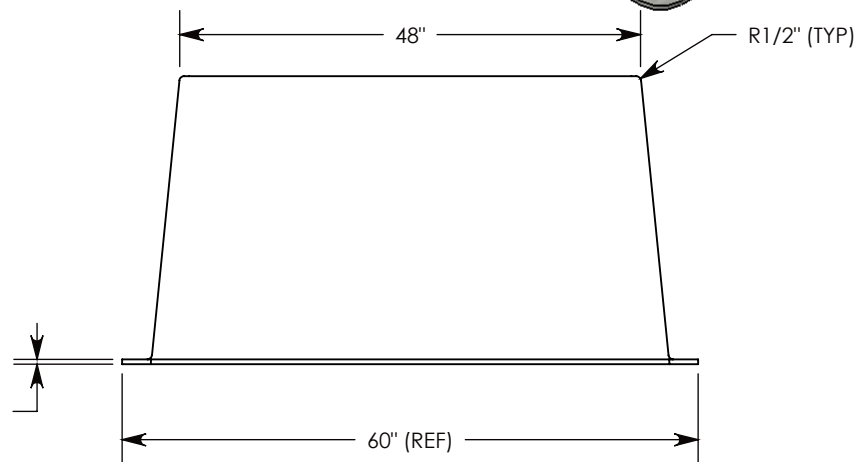
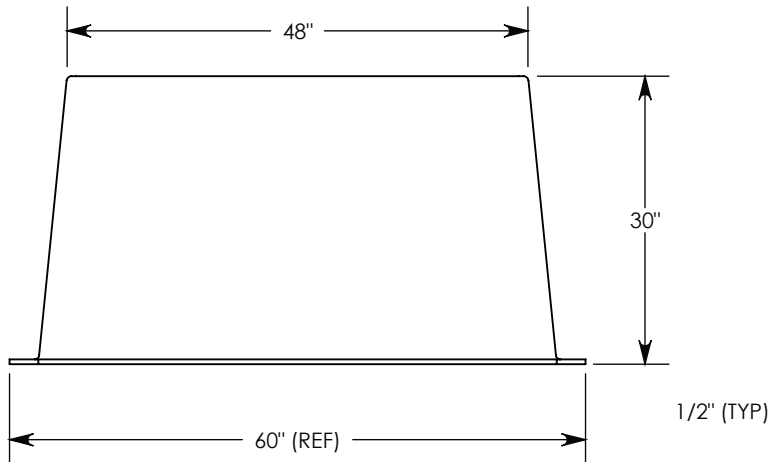
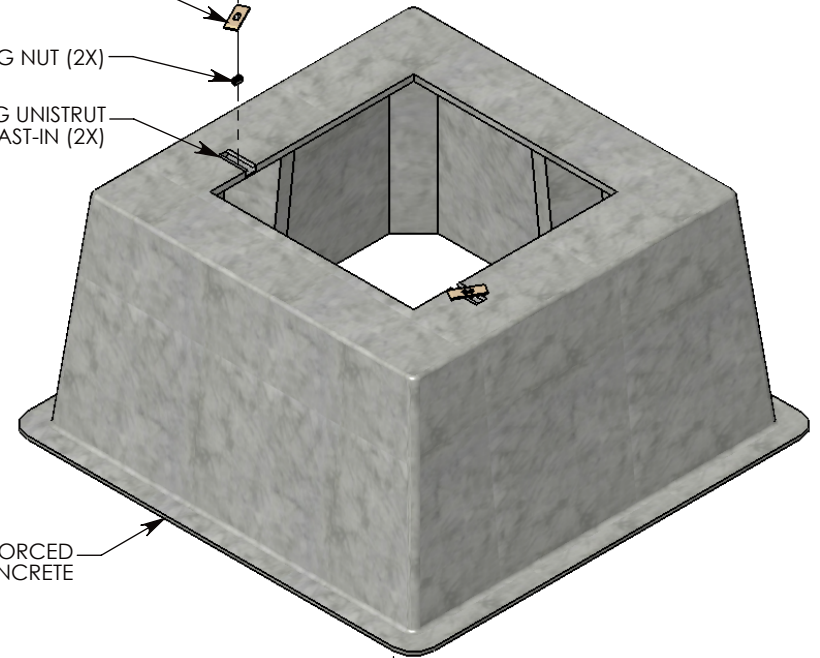
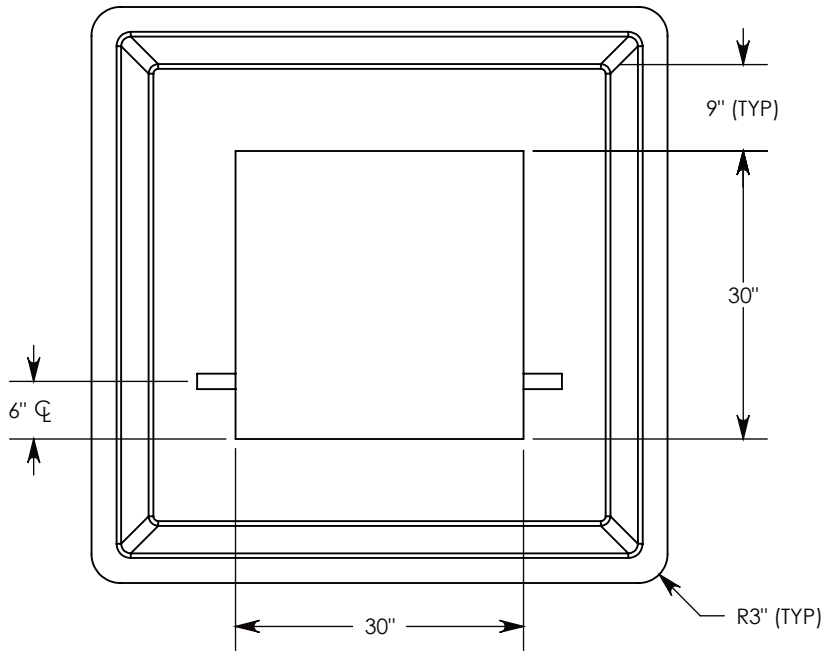
1/2-13 UNC X 1" LG HEX HD BOLT (2X)

HOLD-DOWN CLAMP (2X)

SPRING NUT (2X)

4" LONG UNISTRUT
CAST-IN (2X)

FIBER REINFORCED
CONCRETE



DRAWN BY: ROBIN FLINT

DATE: 3/22/2013

REVISION LEVEL: 0

WEIGHT:

466 LBS.

MATERIAL:

FIBERCRETE FC



1010 NORTH STAR DRIVE
P.O. BOX 69
ZUMBROTA, MN 55992-0069

DESCRIPTION:

FIBERCRETE BOX PAD

DIMENSIONS ARE IN INCHES
TOLERANCES:
FRACTIONAL: $\pm 1/8"$
ANGULAR: $\pm 2^\circ$

CONTACT INFORMATION:
EMAIL: INFO@CONCASTINC.COM
PHONE: (507) 732-4095
FAX: (507) 732-4094

SHEET 1 OF 1

PART NUMBER:

FC-48-48-30-3030C