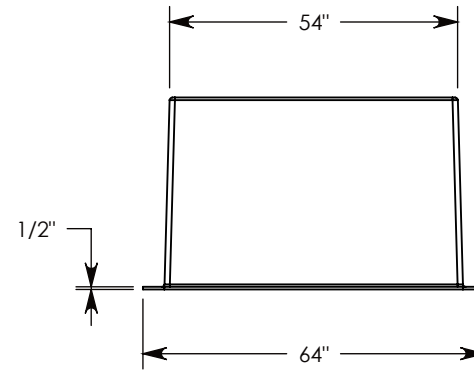
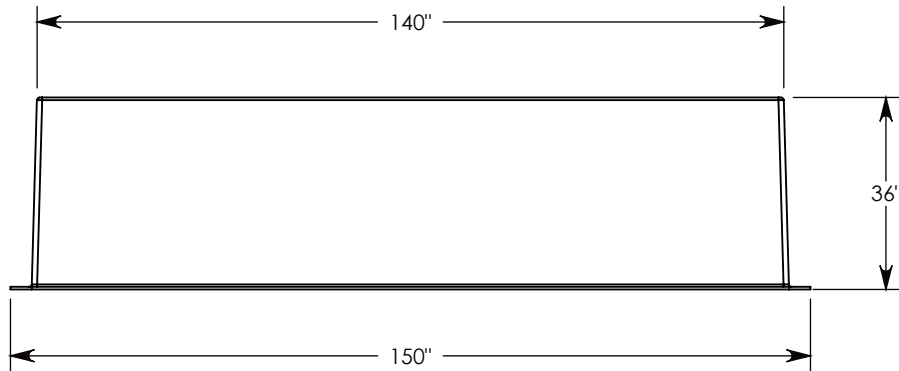
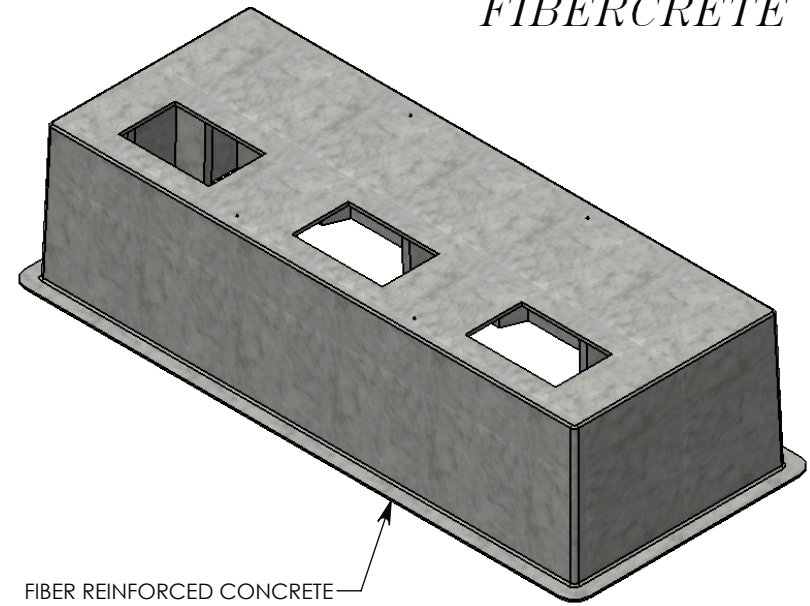
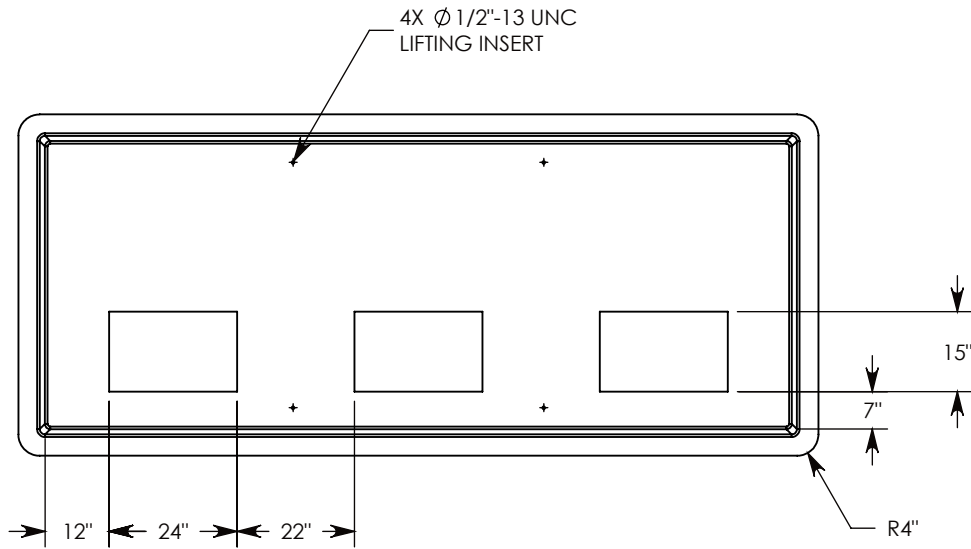


FIBERCRETE®



**NOTE 1:** Ø 1/2"-13 UNC LIFTING INSERTS WILL BE CAST INTO BOX PAD  
IF SPECIFIC INSERTS OR MOUNTING HARDWARE ARE REQUIRED, PLEASE SPECIFY WHEN ORDERING

<b>DRAWN BY: JESSE GUTTING</b>		 1010 NORTH STAR DRIVE P.O. BOX 69 ZUMBROTA, MN 55992-0069	<b>DESCRIPTION:</b>		SHEET 1 OF 1
<b>DATE: 2/14/2018</b>	<b>REVISION LEVEL: 0</b>		<b>FIBERCRETE BOX PAD</b>		
<b>WEIGHT:</b>	<b>MATERIAL:</b>		<small>DIMENSIONS ARE IN INCHES          TOLERANCES:          FRACTIONAL: ± 1/8"          ANGULAR: ± 2°</small>	<small>CONTACT INFORMATION:          EMAIL: INFO@CONCASTINC.COM          PHONE: (507) 732-4095          FAX: (507) 732-4094</small>	
<b>1414 LBS.</b>	<b>FIBERCRETE FC</b>	<b>PART NUMBER:</b>		<b>FC-54-140-36-3-1524</b>	