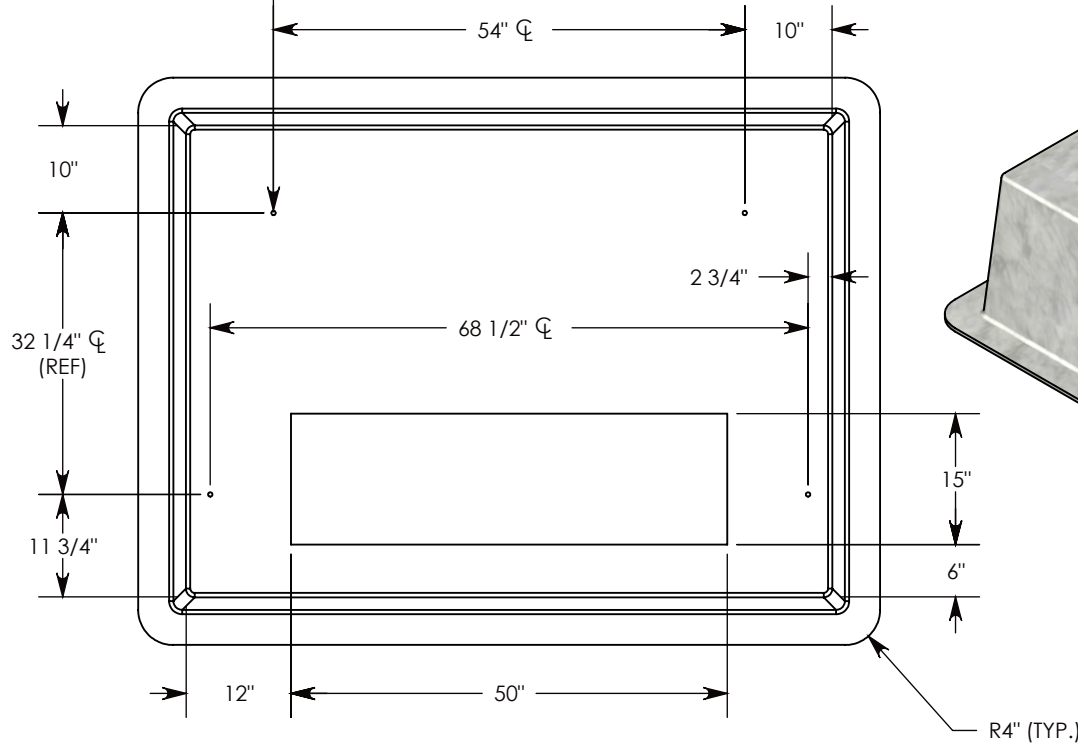
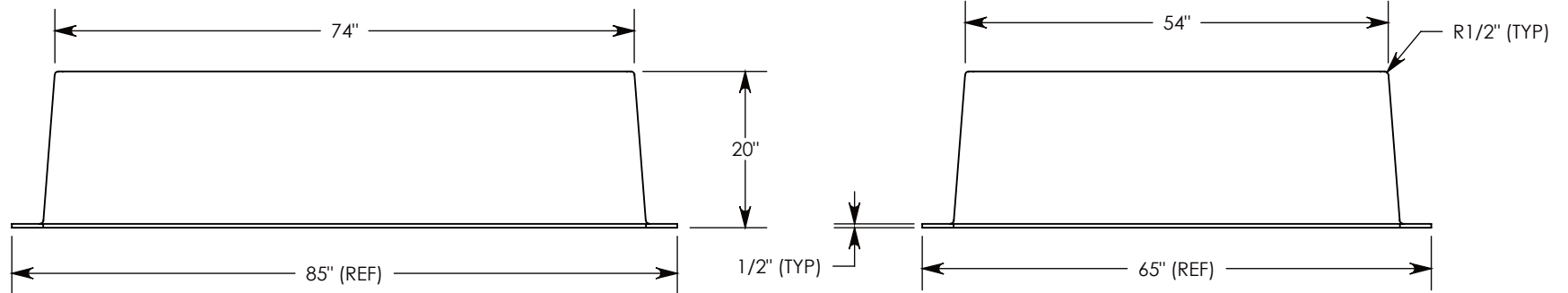
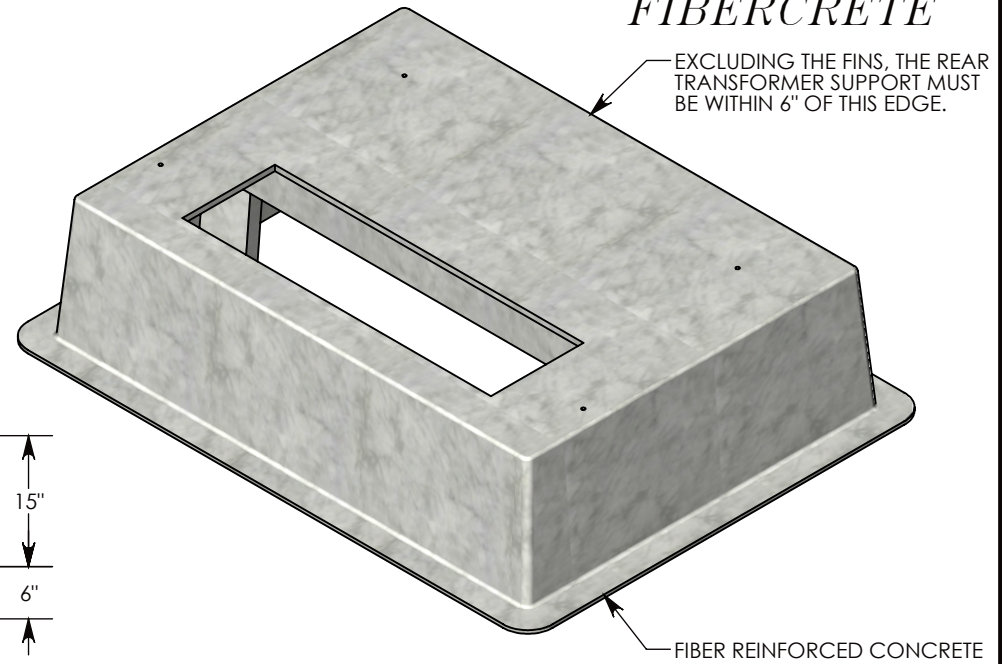


Ø 1/2"-13 UNC INSERTS (4X)



**FIBERCRETE**®

EXCLUDING THE FINIS, THE REAR TRANSFORMER SUPPORT MUST BE WITHIN 6" OF THIS EDGE.



**NOTE 1:** Ø 1/2"-13 UNC LIFTING INSERTS ARE CAST INTO BOX PAD PER DIMENSIONS ABOVE

**DRAWN BY:** ROBIN FLINT

**DATE:** 2/6/2015

**REVISION LEVEL:** A

**WEIGHT:**

1123 LBS.

**MATERIAL:**

FIBERCRETE FC



**DESCRIPTION:**

**FIBERCRETE BOX PAD**

DIMENSIONS ARE IN INCHES  
TOLERANCES:  
FRACTIONAL: ± 1/8"  
ANGULAR: ± 2°

CONTACT INFORMATION:  
EMAIL: INFO@CONCASTINC.COM  
PHONE: (507) 732-4095  
FAX: (507) 732-4094

SHEET 1 OF 1

**PART NUMBER:**

**FC-54-74-20-1550 (6)**