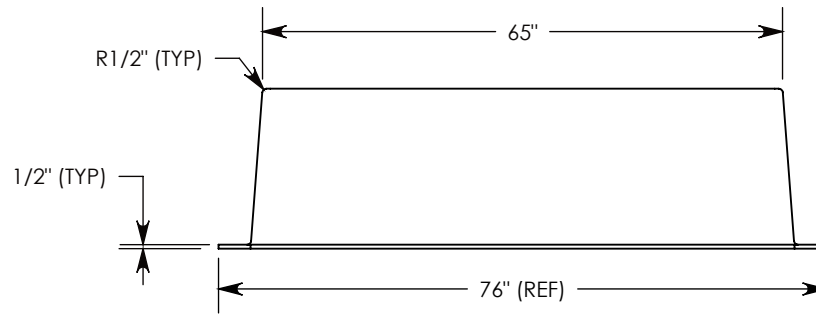
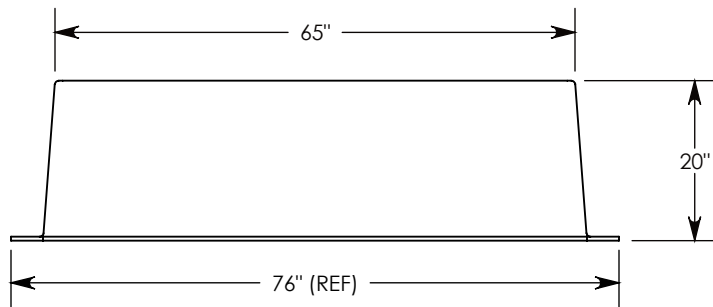
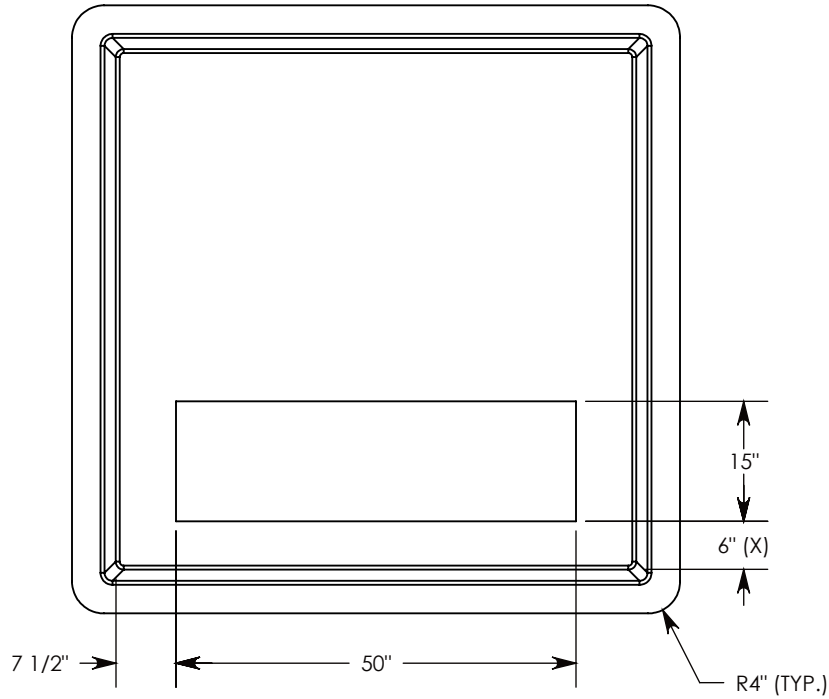
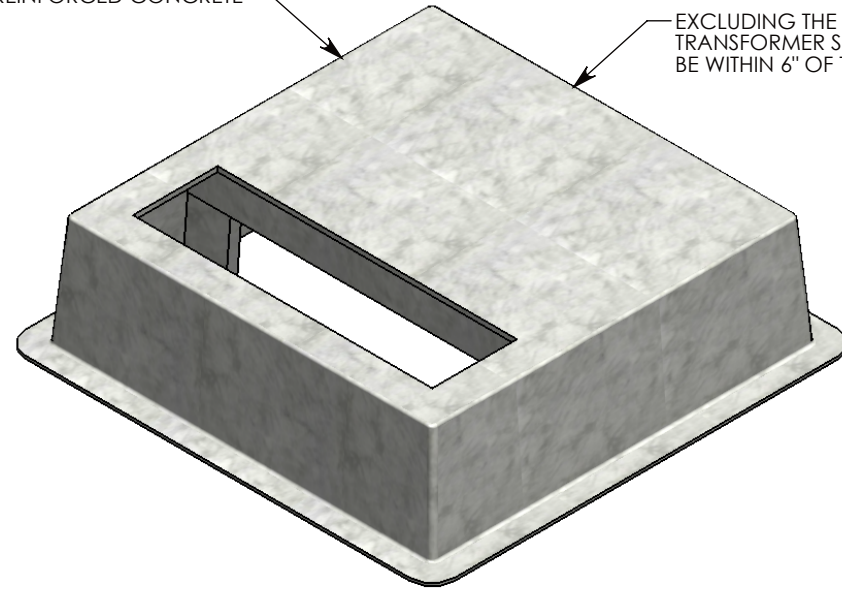


**FIBERCRETE**®

FIBER REINFORCED CONCRETE

EXCLUDING THE FINS, THE REAR TRANSFORMER SUPPORT MUST BE WITHIN 6" OF THIS EDGE.



Ø 1/2"-13 UNC LIFTING INSERTS WILL BE CAST INTO BOX PAD  
IF SPECIFIC INSERTS OR MOUNTING HARDWARE ARE REQUIRED, PLEASE SPECIFY WHEN ORDERING.

**DRAWN BY: ROBIN FLINT**

**DATE: 5/8/2012**

**REVISION LEVEL: 0**

**WEIGHT:**

**680 LBS.**

**MATERIAL:**

**FIBERCRETE FC**

**CONCAST**  
1010 NORTH STAR DRIVE  
P.O. BOX 69  
ZUMBROTA, MN 55992-0069

**DESCRIPTION:**

**FIBERCRETE BOX PAD**

DIMENSIONS ARE IN INCHES  
TOLERANCES:  
FRACTIONAL: ± 1/8"  
ANGULAR: ± 2°

CONTACT INFORMATION:  
EMAIL: INFO@CONCASTINC.COM  
PHONE: (507) 732-4095  
FAX: (507) 732-4094

SHEET 1 OF 1

**PART NUMBER:**

**FC-65-65-20-1550 (6)**