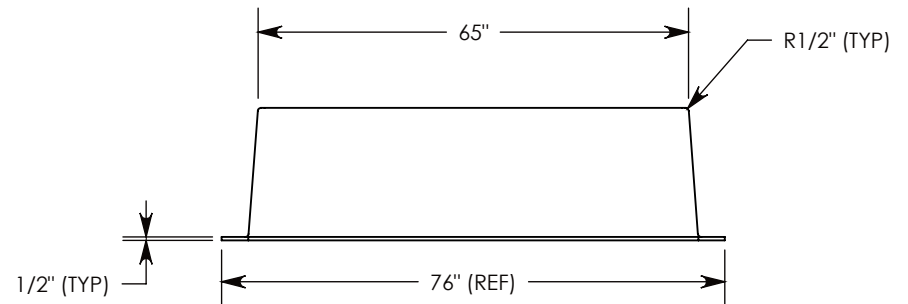
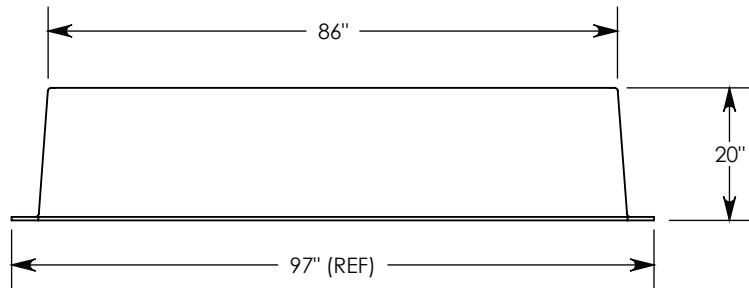
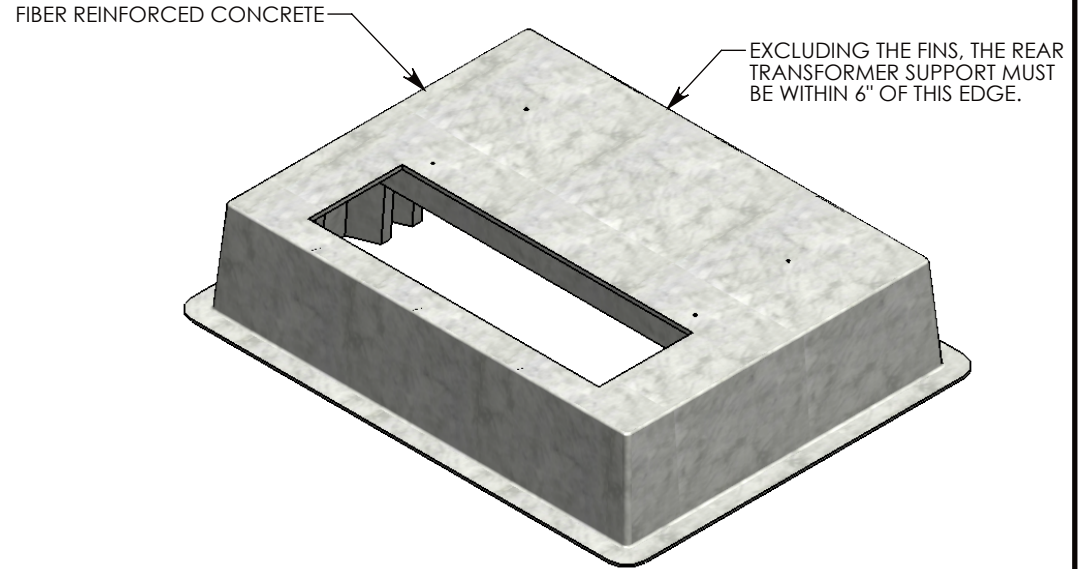
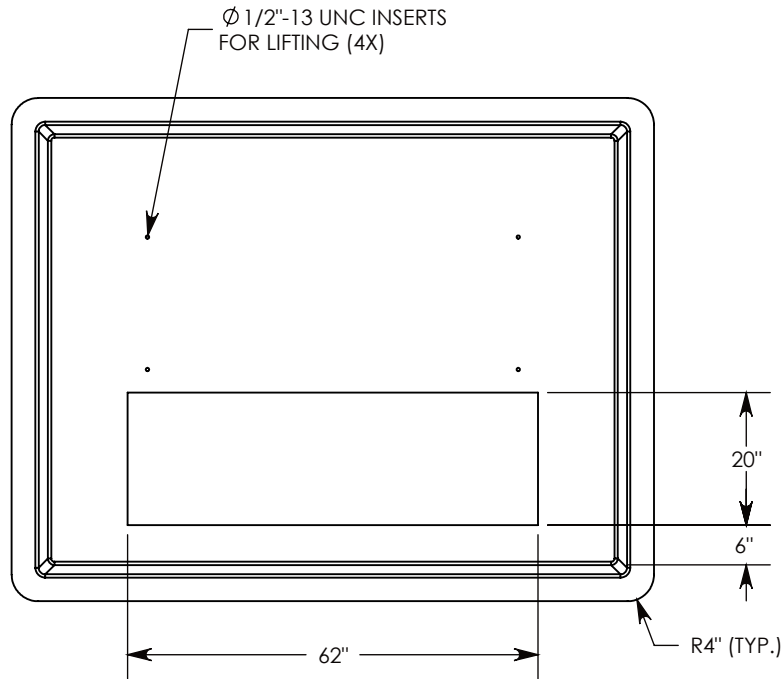


**FIBERCRETE**®



Ø 1/2"-13 UNC LIFTING INSERTS WILL BE CAST INTO BOX PAD  
IF SPECIFIC INSERTS OR MOUNTING HARDWARE ARE REQUIRED, PLEASE SPECIFY WHEN ORDERING.

<b>DRAWN BY: ROBIN FLINT</b>	
<b>DATE: 7/23/2016</b>	<b>REVISION LEVEL: 0</b>
<b>WEIGHT:</b> <b>920 LBS.</b>	<b>MATERIAL:</b> <b>FIBERCRETE FC</b>



1010 NORTH STAR DRIVE  
P.O. BOX 69  
ZUMBROTA, MN 55992-0069

<b>DESCRIPTION:</b> <b>FIBERCRETE PAD BOX</b>		
DIMENSIONS ARE IN INCHES TOLERANCES: FRACTIONAL: ± 1/8" ANGULAR: ± 2°	CONTACT INFORMATION: EMAIL: INFO@CONCASTINC.COM PHONE: (507) 732-4095 FAX: (507) 732-4094	SHEET 1 OF 1
<b>PART NUMBER:</b> <b>FC-65-86-20-2062 (6)</b>		