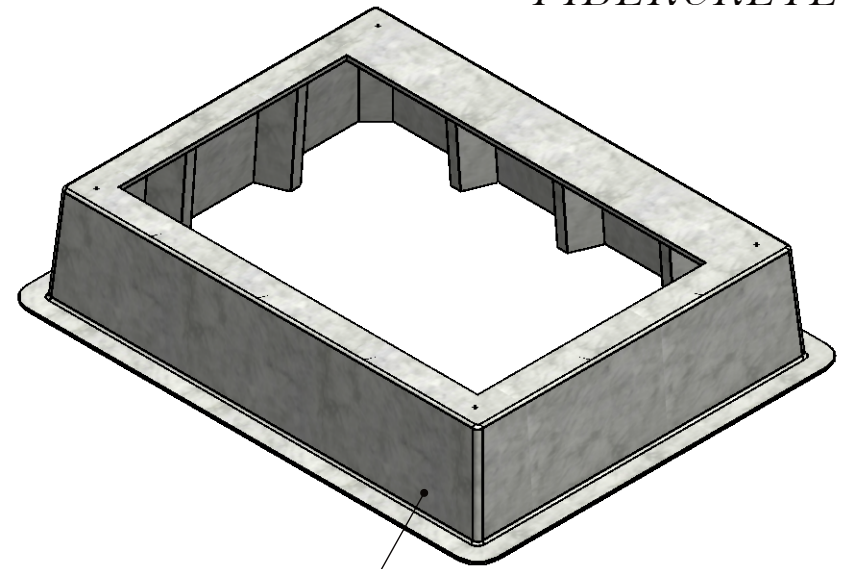
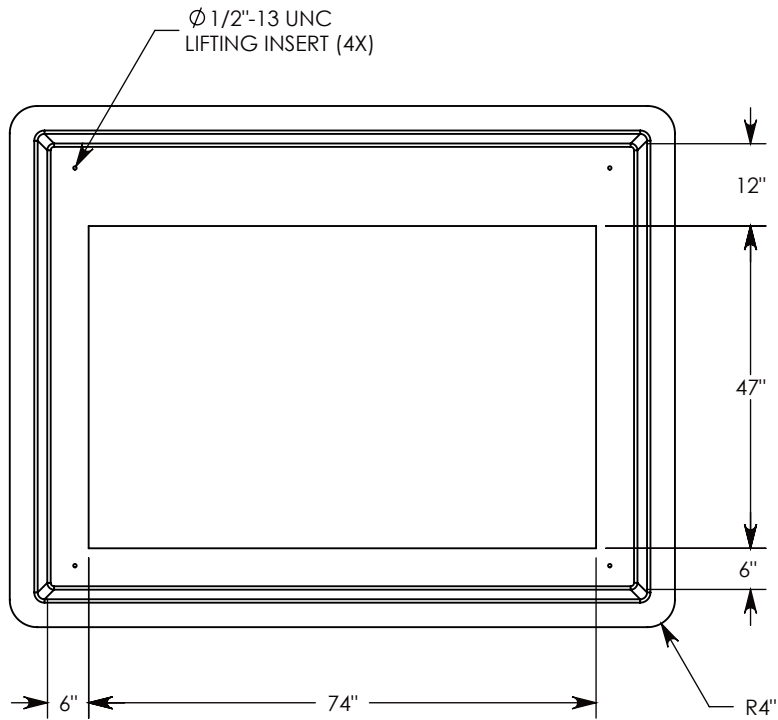
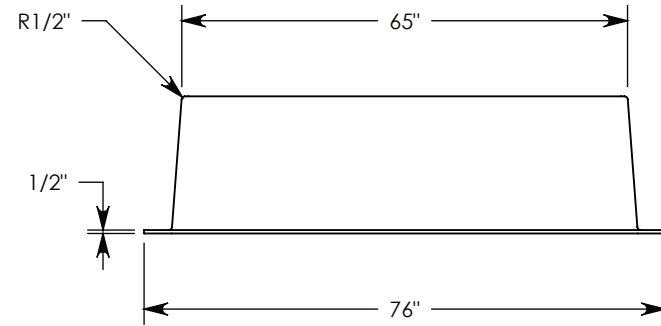
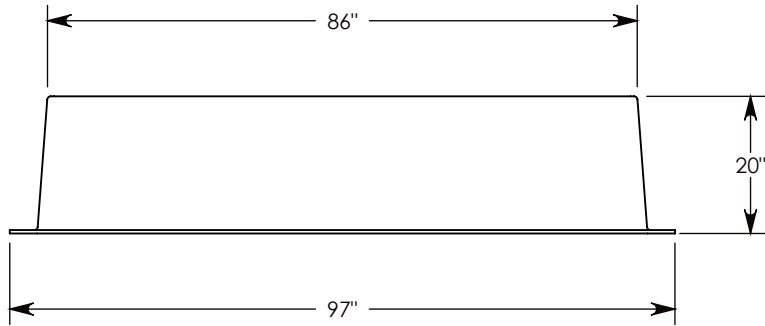


FIBERCRETE®



FIBER REINFORCED CONCRETE



NOTE 1: WHEN USED WITH VISTA SD CABINET WILL BE OFF CENTER

NOTE 2: IF SPECIFIC INSERTS OR MOUNTING HARDWARE ARE REQUIRED, PLEASE SPECIFY WHEN ORDERING

DRAWN BY: **JESSE GUTTING**

DATE: **8/14/2019**

REVISION LEVEL: **0**

WEIGHT:

545 LBS.

MATERIAL:

FIBERCRETE FC

CONCAST
 1010 NORTH STAR DRIVE
 P.O. BOX 69
 ZUMBROTA, MN 55992-0069

DESCRIPTION:

FIBERCRETE PAD BOX

DIMENSIONS ARE IN INCHES

TOLERANCES:
 FRACTIONAL: $\pm 1/8$ "
 ANGULAR: $\pm 2^\circ$

CONTACT INFORMATION:
 EMAIL: INFO@CONCASTINC.COM
 PHONE: (507) 732-4095
 FAX: (507) 732-4094

SHEET 1 OF 1

PART NUMBER:

FC-65-86-20-4774(6)