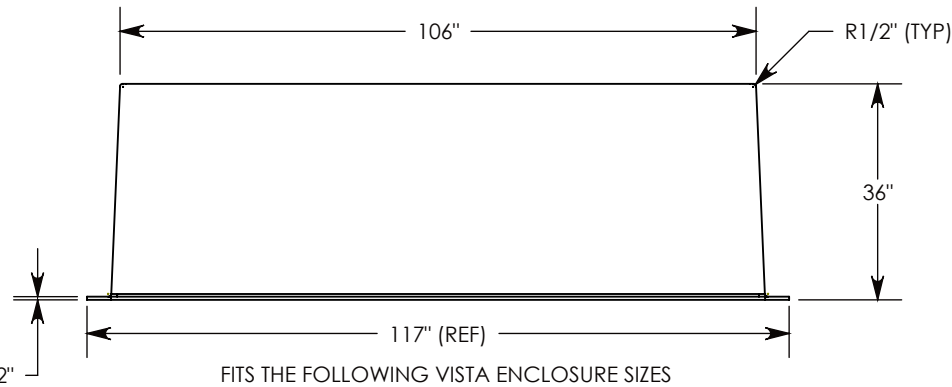
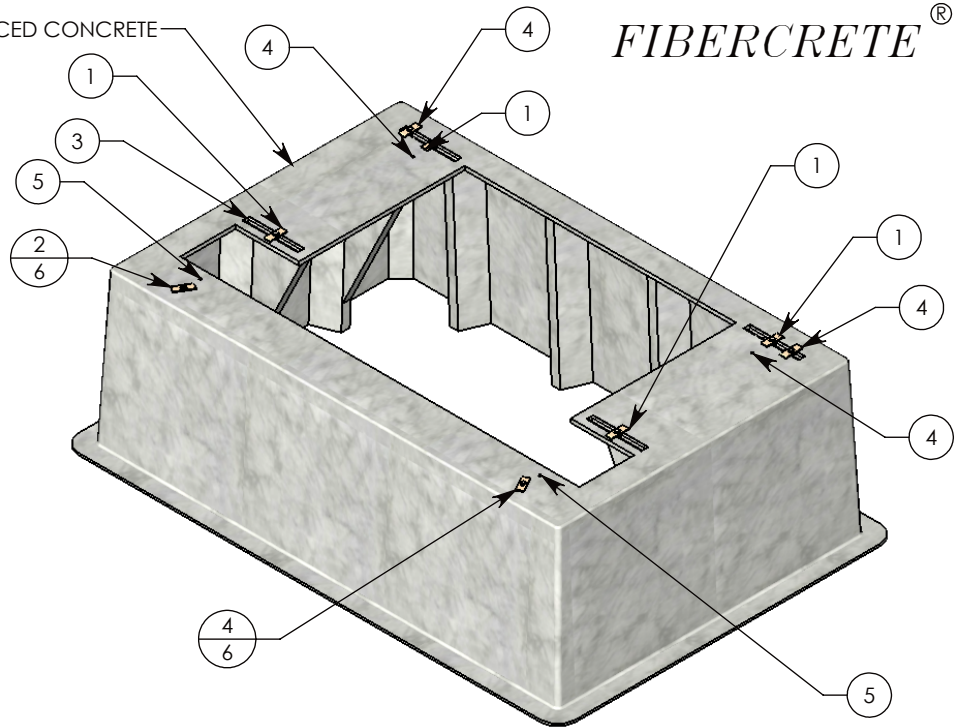
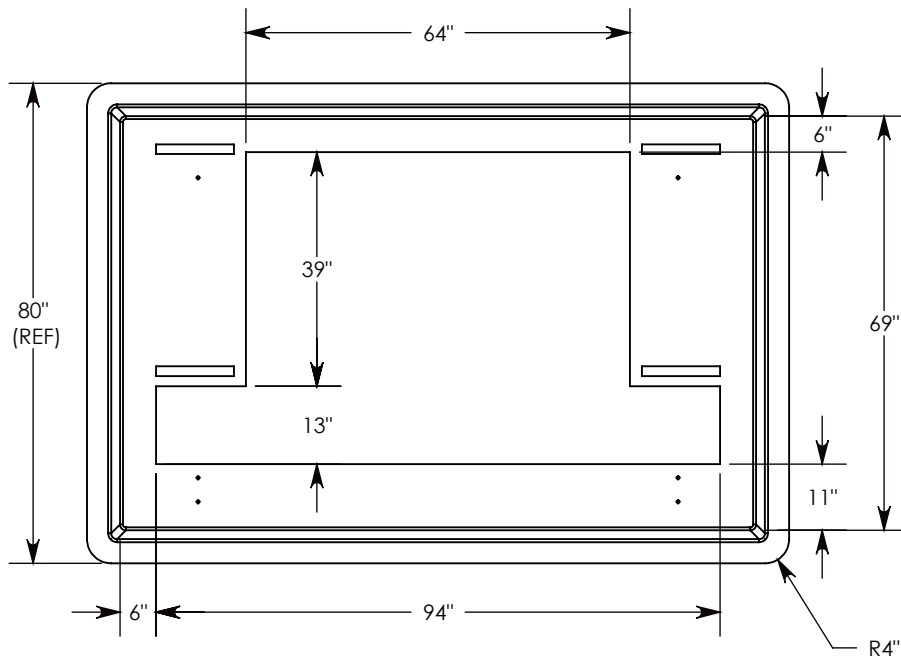


FIBER REINFORCED CONCRETE



NUMBER	DESCRIPTION
1	HOLD DOWN CLAMP (HDC) FOR TANK
2	HOLD DOWN CLAMP (HDC) FOR ENCLOSURE
3	CAST IN METAL UNISTRUT W/ 1/2" NUTS
4	1/2" THREADED INSERTS FOR LIFTING
5	1/2" THREADED INSERTS FOR ENCLOSURE HDC
6	1/2" THREADED INSERT FOR LIFTING & HDC

NOTE:  
1. 8 HOLD DOWN CLAMPS (HDC) W/ BOLTS WILL BE PROVIDED  
2. #5 ONLY USED FOR 61" DEEP VISTA ENCLOSURES

**DRAWN BY: ROBIN FLINT**

**DATE: 11/26/2012**

**REVISION LEVEL: 0**

**WEIGHT:**

**1158 LBS.**

**MATERIAL:**

**FIBERCRETE**



1010 NORTH STAR DRIVE  
P.O. BOX 69  
ZUMBROTA, MN 55992-0069

**DESCRIPTION:**

**FIBERCRETE BOX PAD (VISTA)**

DIMENSIONS ARE IN INCHES  
TOLERANCES:  
FRACTIONAL: ± 1/8"  
ANGULAR: ± 2°

CONTACT INFORMATION:  
EMAIL: INFO@CONCASTINC.COM  
PHONE: (507) 732-4095  
FAX: (507) 732-4094

SHEET 1 OF 1

**PART NUMBER:**

**FC-69-106-36-V**