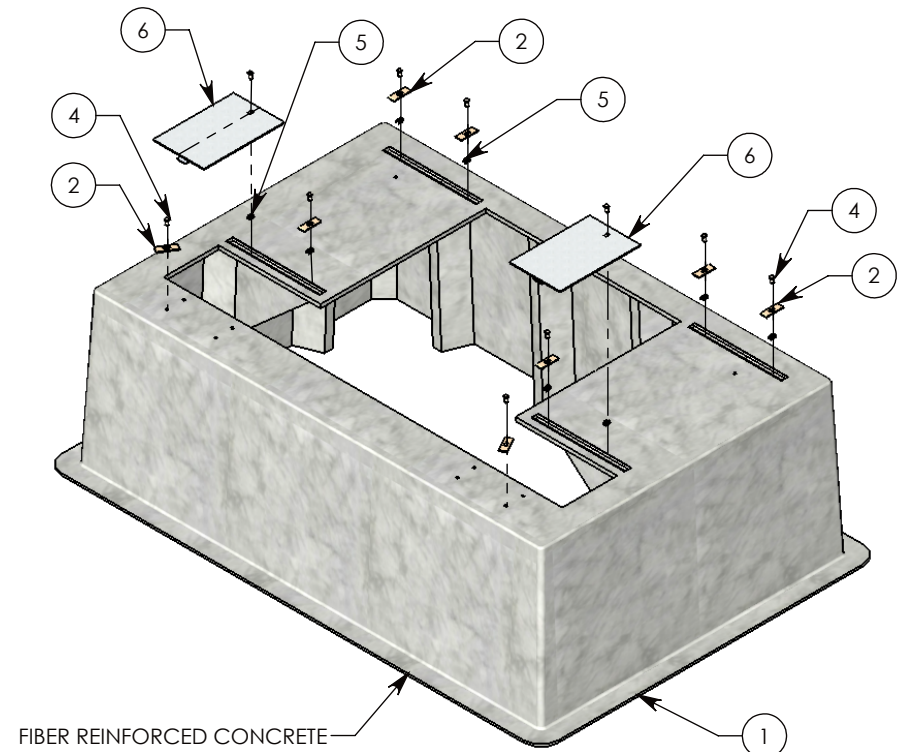


ITEM NO.	PART NUMBER	DESCRIPTION	QTY.
1	FC-69-106-36-V2	FIBERCRETE BOX PAD (VISTA)	1
2	HDC-1	HOLD-DOWN CLAMP	8
4	PTA.5-1	1/2-13 UNC X 1" LG PENTA HD BOLT	8
5	USN-.5	1/2-13 UNC SPRING NUT	8
6	69-106-VCA2	ALUMINUM VISTA BOX PAD COVER	2



FITS THE FOLLOWING VISTA ENCLOSURE SIZES: 61" X 72" --- 65" X 79" --- 61" X 102" --- 65" X 102"
 THIS BOX IS USED WHEN FUTURE EXPANSION FROM A 4-WAY TO A 5-WAY OR 6-WAY
 PAD-MOUNTED VISTA UNIT MAY BE NECESSARY. SEE PAGE 2 FOR REFERENCE ASSEMBLY.

DRAWN BY: ROBIN FLINT

DATE: 11/27/2012

REVISION LEVEL: 0

WEIGHT:

1232 LBS.

MATERIAL:

FIBERCRETE



DESCRIPTION:

FIBERCRETE BOX PAD (VISTA)

DIMENSIONS ARE IN INCHES
 TOLERANCES:
 FRACTIONAL: ± 1/8"
 ANGULAR: ± 2°

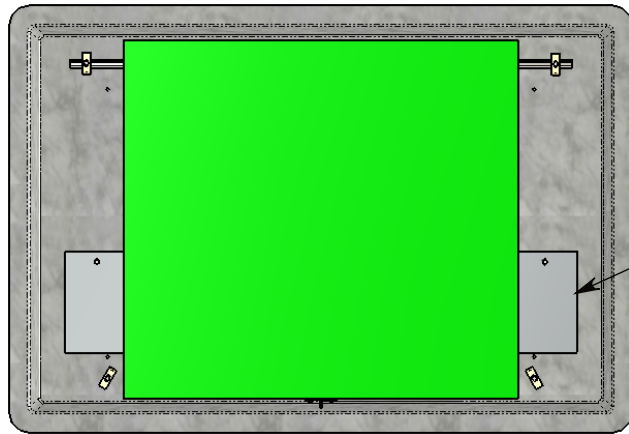
CONTACT INFORMATION:
 EMAIL: INFO@CONCASTINC.COM
 PHONE: (507) 732-4095
 FAX: (507) 732-4094

SHEET 1 OF 2

PART NUMBER:

FC-69-106-36-V2

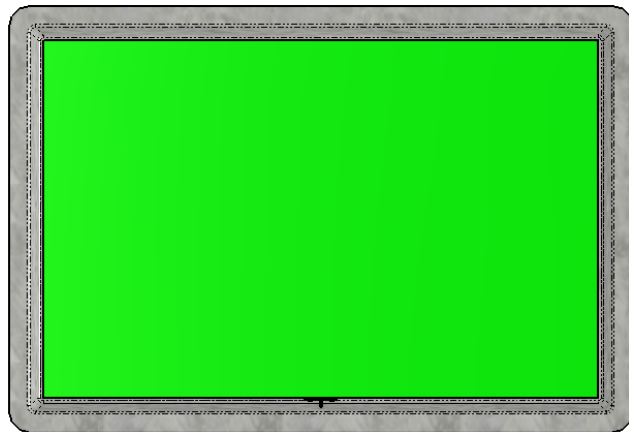
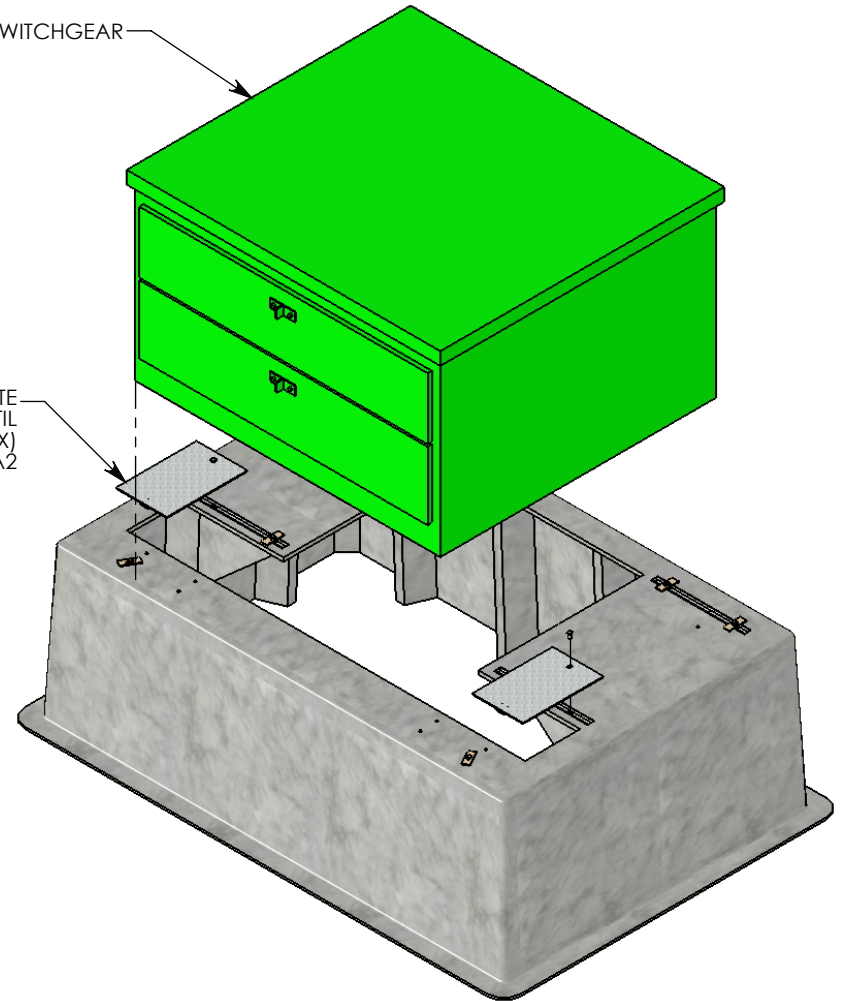
ORIGINAL INSTALL WITH A
61X72 OR A 65X79 CABINET



VISTA PAD MOUNTED SWITCHGEAR

ALUMINUM COVER PLATE

ALUMINUM COVER PLATE
USED TO SEAL BOX UNTIL
FUTURE EXPANSION (2X)
P/N: 69-106-VCA2



UPGRADED INSTALL WITH A
61X102 OR A 65X102 CABINET

DRAWN BY: ROBIN FLINT

DATE: 11/27/2012

REVISION LEVEL: 0

WEIGHT:

1232 LBS.

MATERIAL:

FIBERCRETE



1010 NORTH STAR DRIVE
P.O. BOX 69
ZUMBROTA, MN 55992-0069

DESCRIPTION:

FIBERCRETE BOX PAD (VISTA)

DIMENSIONS ARE IN INCHES
TOLERANCES:
FRACTIONAL: $\pm 1/8"$
ANGULAR: $\pm 2^\circ$

CONTACT INFORMATION:
EMAIL: INFO@CONCASTINC.COM
PHONE: (507) 732-4095
FAX: (507) 732-4094

SHEET 1 OF 2

PART NUMBER:

FC-69-106-36-V2