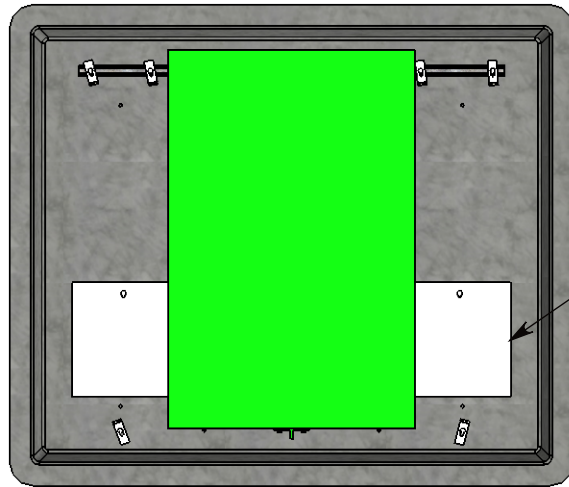
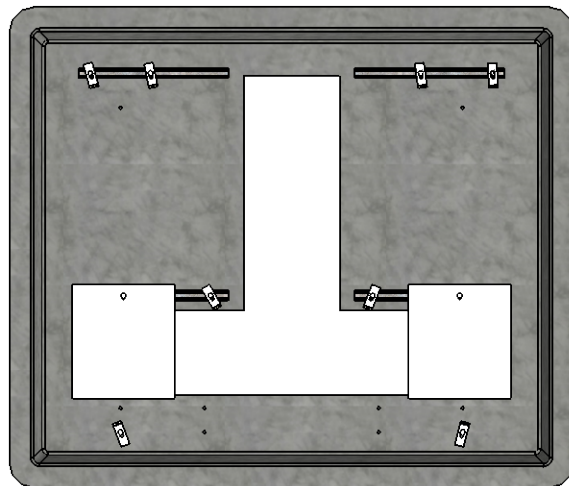




**ORIGINAL INSTALL WITH A 39X61 CABINET**



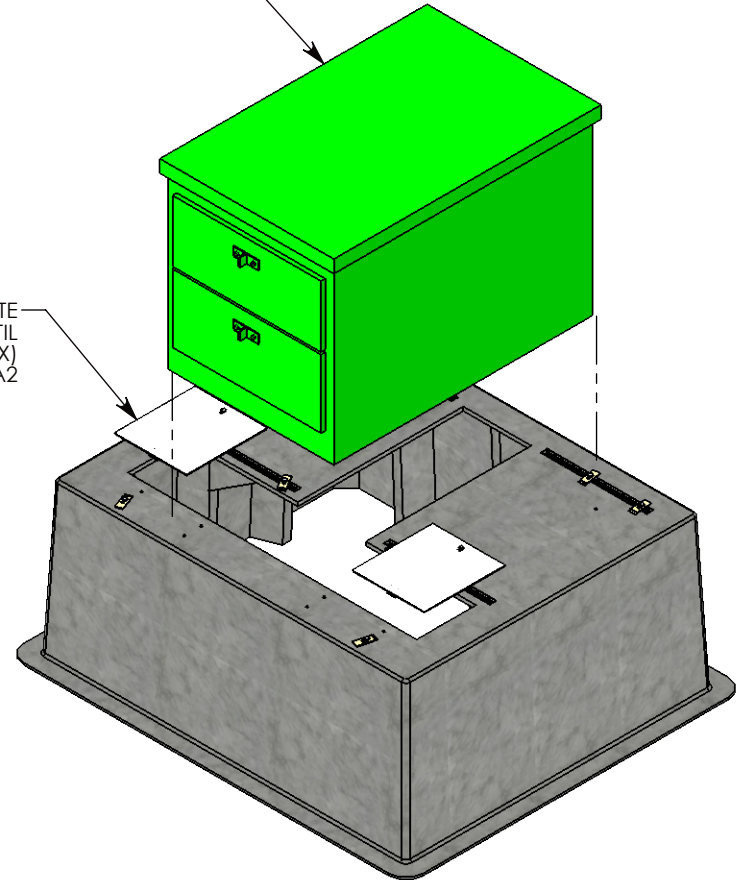
ALUMINUM COVER PLATE



**UPGRADED INSTALL WITH A  
61X72 OR A 65X79 CABINET**

VISTA PAD MOUNTED SWITCHGEAR

ALUMINUM COVER PLATE  
USED TO SEAL BOX UNTIL  
FUTURE EXPANSION (2X)  
P/N: 69-83-VCA2



DRAWN BY: **JESSE GUTTING**

CREATED DATE: **11/12/2019**

REVISION LEVEL: **A**

SAVED DATE: **7/11/2022**

SAVED BY: **jgutting**

WEIGHT:  
~ LBS.

MATERIAL:  
**FIBERCRETE**

**CONCAST**  
1010 NORTH STAR DRIVE  
P.O. BOX 69  
ZUMBROTA, MN 55992-0069

DESCRIPTION:

**FIBERCRETE BOX PAD (VISTA)**

DIMENSIONS ARE IN INCHES  
TOLERANCES:  
FRACTIONAL: ± 1/8"  
ANGULAR: ± 2°

CONTACT INFORMATION:  
EMAIL: [INFO@CONCASTINC.COM](mailto:INFO@CONCASTINC.COM)  
PHONE: (507) 732-4095  
FAX: (507) 732-4094

SHEET 2 OF 2

PART NUMBER:

**FC-69-83-36-V2**