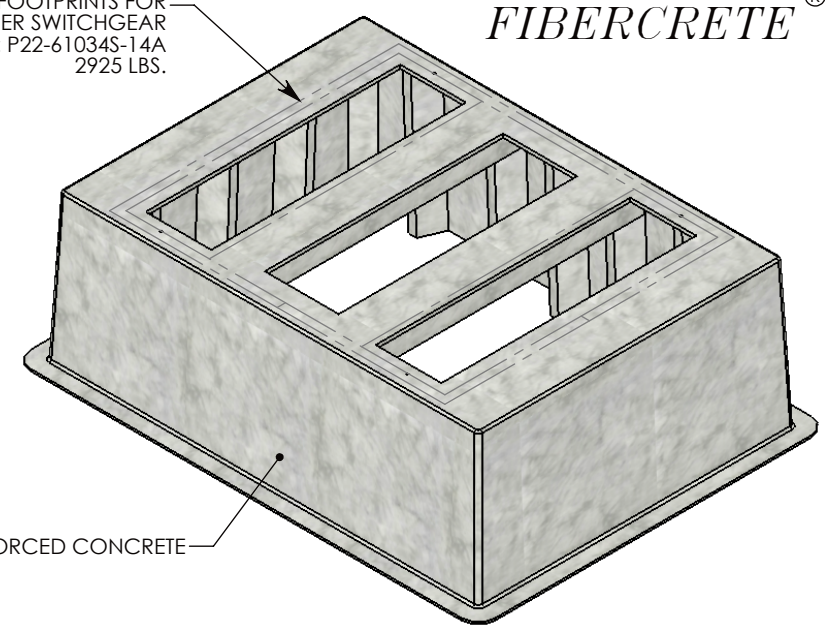
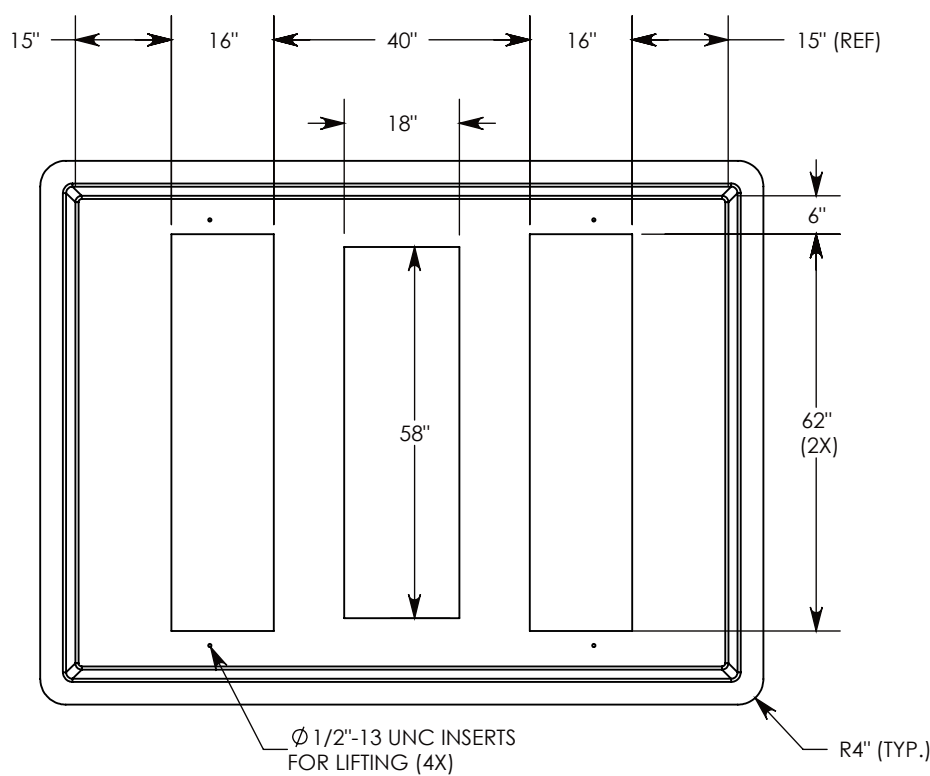
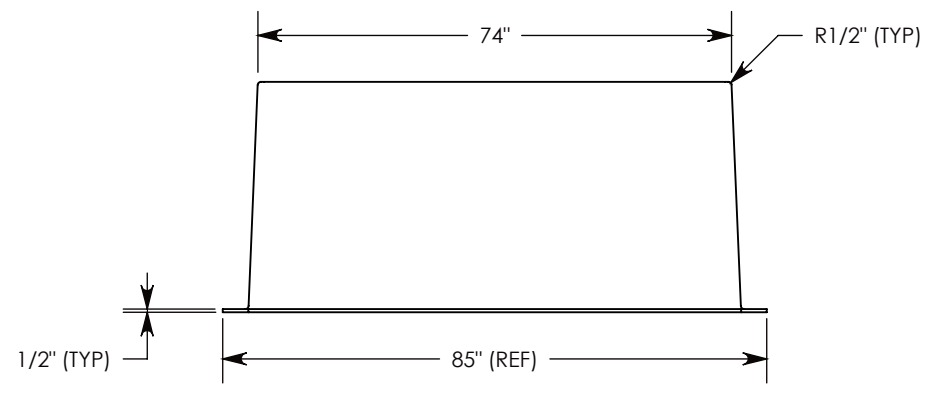
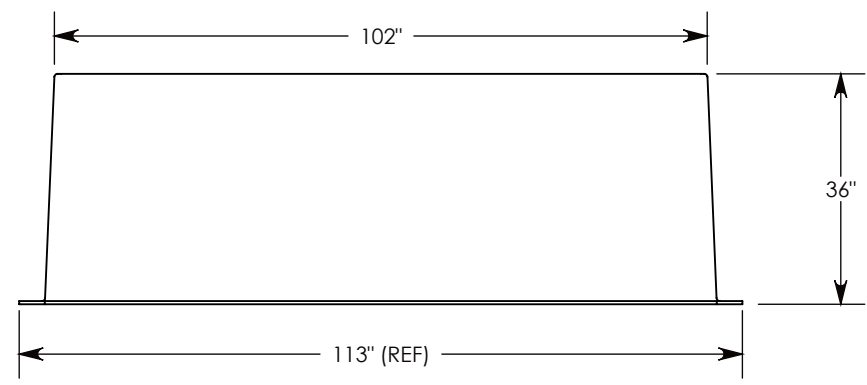


FOOTPRINTS FOR
COOPER SWITCHGEAR
P/N: P22-61034S-14A
2925 LBS.

FIBERCRETE®



FIBER REINFORCED CONCRETE



| | |
|------------------------------------|--|
| DRAWN BY: ROBIN FLINT | |
| DATE: 5/14/2013 | REVISION LEVEL: 0 |
| WEIGHT: 1327 LBS. | MATERIAL: FIBERCRETE FC |



CONCAST
1010 NORTH STAR DRIVE
P.O. BOX 69
ZUMBROTA, MN 55992-0069

| | | |
|--|--|--------------|
| DESCRIPTION: FIBERCRETE BOX PAD | | |
| DIMENSIONS ARE IN INCHES TOLERANCES: FRACTIONAL: ± 1/8" ANGULAR: ± 2° | CONTACT INFORMATION: EMAIL: INFO@CONCASTINC.COM PHONE: (507) 732-4095 FAX: (507) 732-4094 | SHEET 1 OF 1 |
| PART NUMBER: FC-74-102-36 (40) 2-6216 | | |