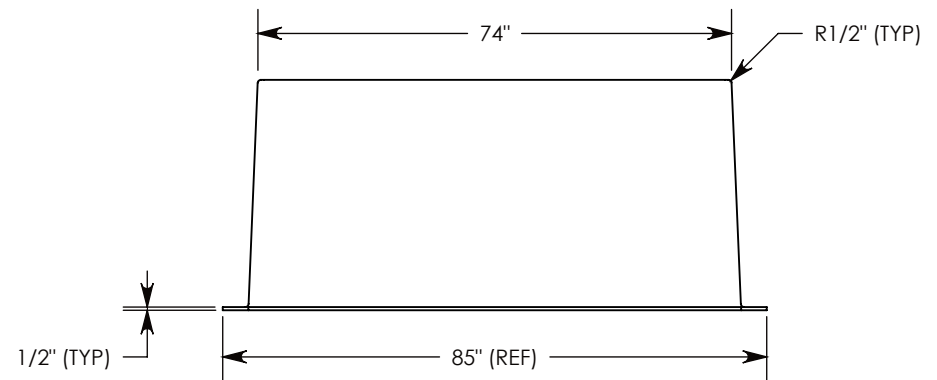
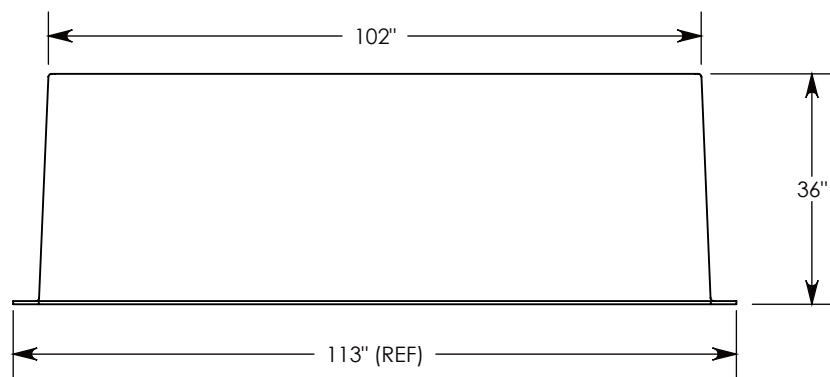
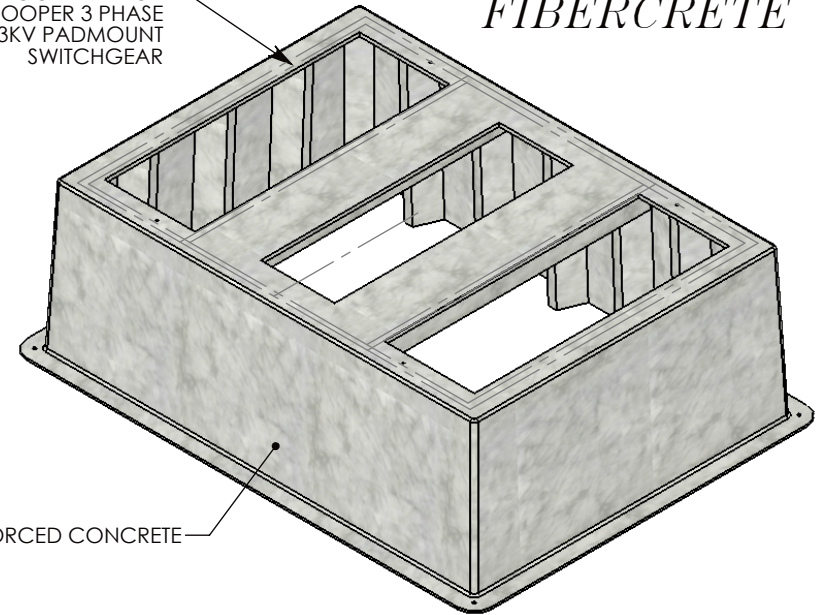


FOOTPRINT FOR  
COOPER 3 PHASE  
2/26 3KV PADMOUNT  
SWITCHGEAR

**FIBERCRETE**®

FIBER REINFORCED CONCRETE



**DRAWN BY: ROBIN FLINT**

**DATE: 5/14/2013**

**REVISION LEVEL: 0**

**WEIGHT:**

**1272 LBS.**

**MATERIAL:**

**FIBERCRETE FC**



1010 NORTH STAR DRIVE  
P.O. BOX 69  
ZUMBROTA, MN 55992-0069

**DESCRIPTION:**

**FIBERCRETE BOX PAD**

DIMENSIONS ARE IN INCHES  
TOLERANCES:  
FRACTIONAL: ± 1/8"  
ANGULAR: ± 2°

CONTACT INFORMATION:  
EMAIL: INFO@CONCASTINC.COM  
PHONE: (507) 732-4095  
FAX: (507) 732-4094

SHEET 1 OF 1

**PART NUMBER:**

**FC-74-102-36 (46) 2-6222**