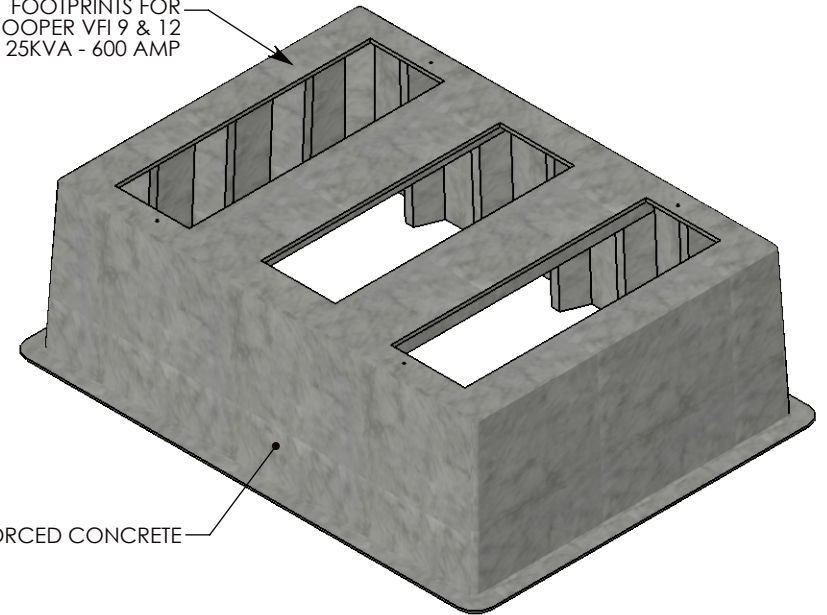
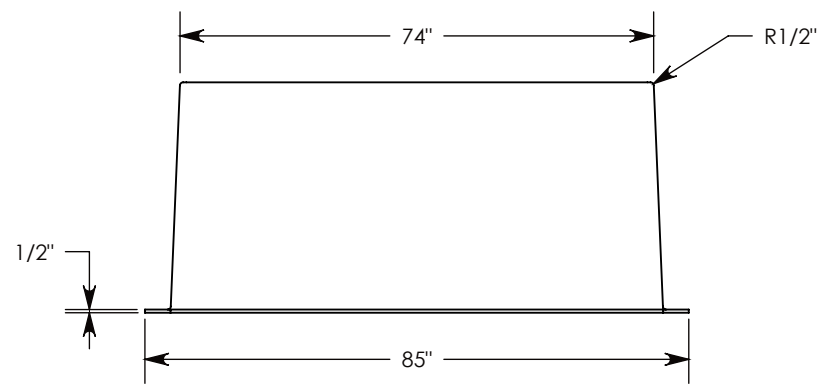
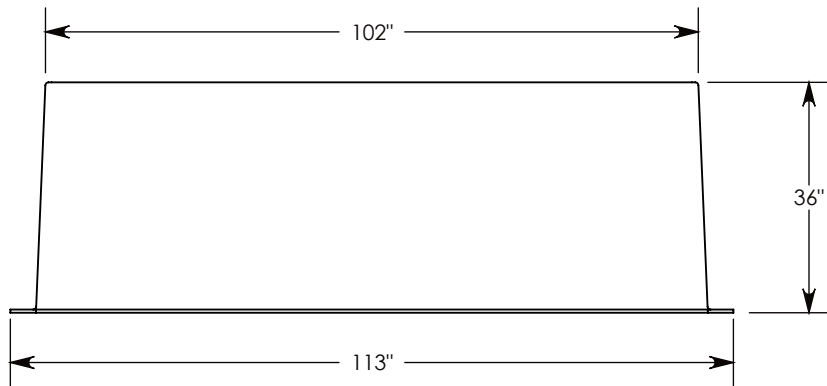


FOOTPRINTS FOR  
COOPER VFI 9 & 12  
25KVA - 600 AMP



FIBER REINFORCED CONCRETE



**DRAWN BY: TOM JANSEN**

**DATE: 8/27/2015**

**REVISION LEVEL: 0**

**WEIGHT:**

**1308 LBS.**

**MATERIAL:**

**FIBERCRETE FC**



1010 NORTH STAR DRIVE  
P.O. BOX 69  
ZUMBROTA, MN 55992-0069

**DESCRIPTION:**

**FIBERCRETE BOX PAD**

DIMENSIONS ARE IN INCHES  
TOLERANCES:  
FRACTIONAL:  $\pm 1/8"$   
ANGULAR:  $\pm 2^\circ$

CONTACT INFORMATION:  
EMAIL: [INFO@CONCASTINC.COM](mailto:INFO@CONCASTINC.COM)  
PHONE: (507) 732-4095  
FAX: (507) 732-4094

SHEET 1 OF 1

**PART NUMBER:**

**FC-74-102-36(49)2-6218**