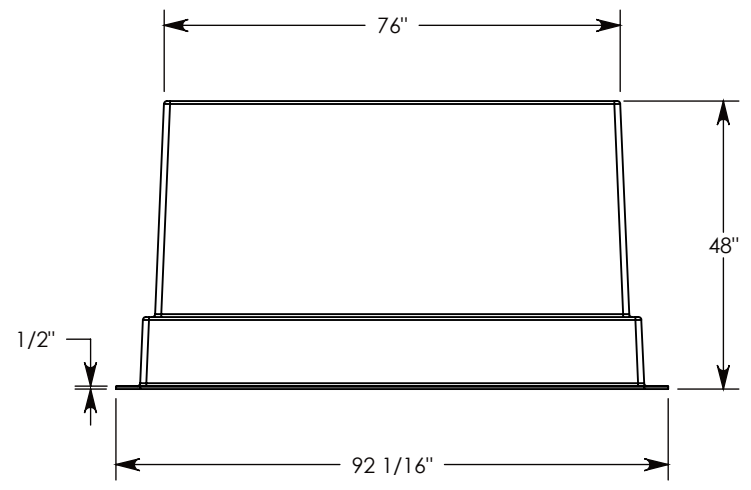
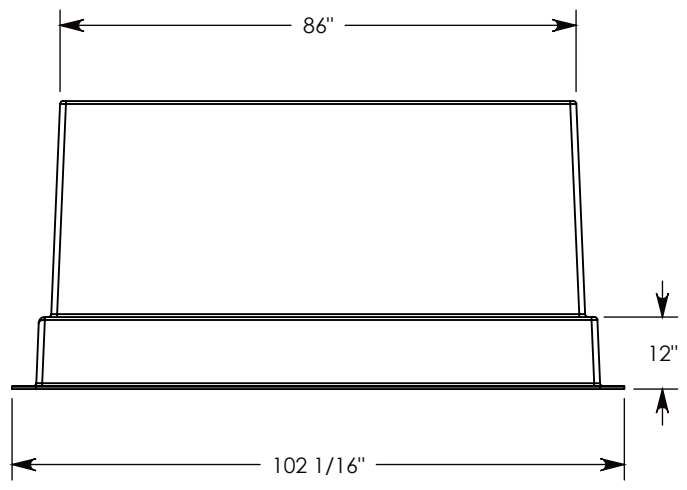
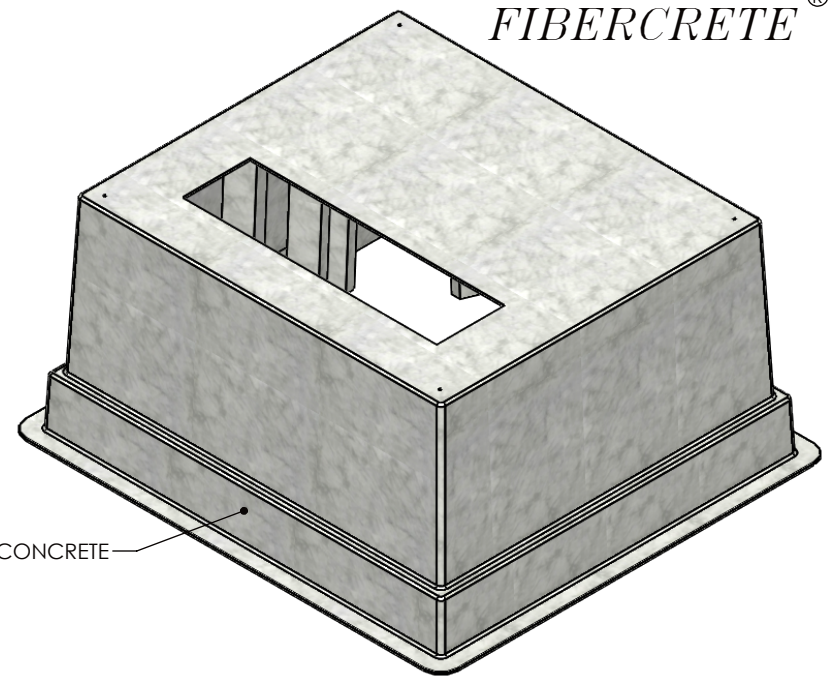
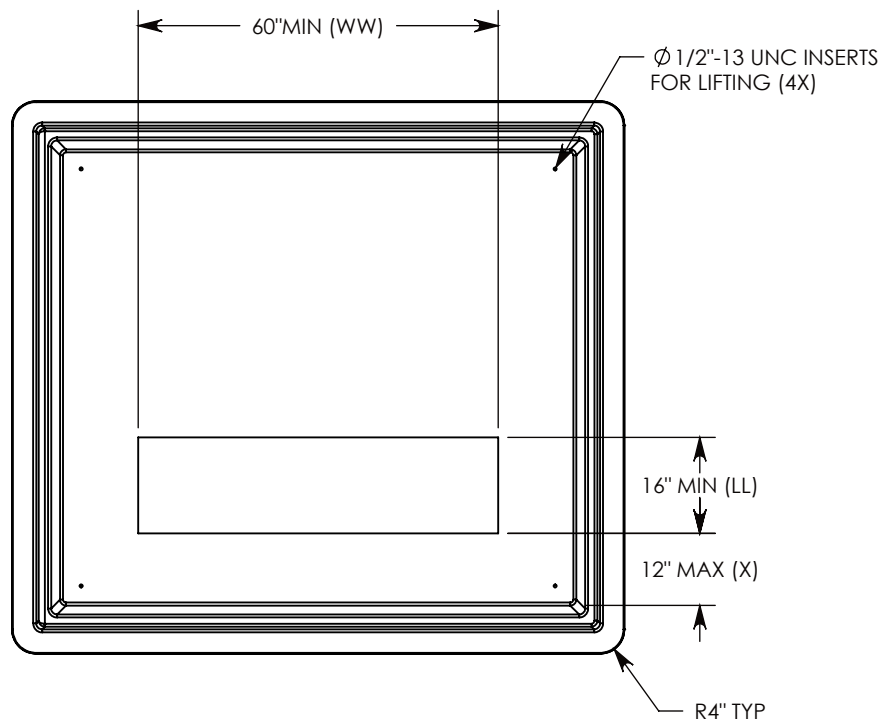


FIBERCRETE®



<b>DRAWN BY: SAMUEL CALLAHAN</b>	
<b>DATE: 6/4/2019</b>	<b>REVISION LEVEL: 0</b>
<b>WEIGHT: 3588 LBS.</b>	<b>MATERIAL: FIBERCRETE FC</b>



**CONCAST**  
 1010 NORTH STAR DRIVE  
 P.O. BOX 69  
 ZUMBROTA, MN 55992-0069

<b>DESCRIPTION: FIBERCRETE BOX PAD</b>		
DIMENSIONS ARE IN INCHES	CONTACT INFORMATION:	
TOLERANCES:	EMAIL: INFO@CONCASTINC.COM	SHEET 1 OF 1
FRACTIONAL: ± 1/8"	PHONE: (507) 732-4095	
ANGULAR: ± 2°	FAX: (507) 732-4094	
<b>PART NUMBER: FC-76-86-48-LLWW(X)</b>		